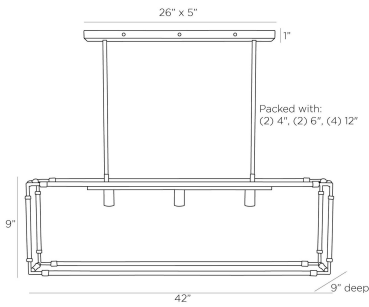


ARTERIO RS

TRENTON LINEAR CHANDELIER



DRC01
Cognac, Leather

With its open and airy silhouette, the Trenton chandelier is a linear take on the lantern style. Constructed with a framework of antique-brass finished steel, the light features menswear-inspired cognac leather that handsomely wraps the box. Three exposed, frosted bulbs suspend inside, casting soft illumination. A linear canopy, also in antique brass, finishes the piece. Finish will vary. Certified for damp locations and intended for interior use.

APPEARANCE

Materials	Leather, Steel
Finishes	Cognac, Antique Brass
Finish Will Vary	Yes
Top Coat/Sealant	No

DIMENSIONS

Overall	W: 42 in x D: 19 in x H: 14 in
Canopy	W: 26 in x D: 5 in x H: 1 in
Chandelier	W: 42 in x D: 19 in x H: 9 in
Overall Hanging Height as Sold (in)	44 in - 14 in

WIRING

Wire Rating	Damp
Cord	7 FT, Clear/Silver, SVT
Socket	3, Type A - E26
Suggested Bulb Type	G25
Maximum Wattage	60.0
Voltage	110-120 V

CERTIFICATIONS & COMPLIANCY

Certifications	Middle East, European Union, United Kingdom, Australia, Mexico, United States, Canada
Compliance	RoHS, UL/ETL, CB

SHIPPING

Product Weight	16.0 lbs
Gross Weight 1	23.1 lbs
Shipping Box 1	W: 12.4 in x D: 16.33 in x H: 46.06 in

CONTRACT

Contract Suitability	Contract Suitable As Is
----------------------	-------------------------

SLOPE CEILING COMPATIBILITY

Sloped Ceiling Compatible	No, is not compatible
---------------------------	-----------------------

COMPONENTS

Pipe or Chain Included	(2) 4", (2) 6", (4) 12"
------------------------	-------------------------

ADDITIONAL PARTS AVAILABLE

PIPE-504	(1) 4", (1) 6", (1) 12"
----------	-------------------------

REPLACEMENT PARTS

CANOPY-639
