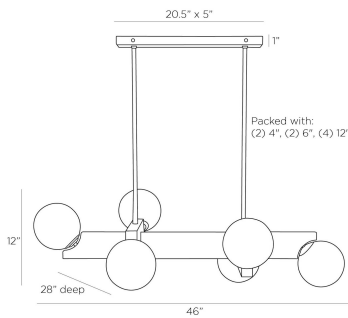


ARTERIO RS

TALLOW LINEAR CHANDELIER



DRC02
English Bronze, Steel

The graphic Tallow chandelier is an attention-getter, forged in an English bronze industrial-style steel beam, with offset frosted glass globes that float around the linear center. The bold chandelier, in English bronze finished steel, features a dual pipe suspension and a linear canopy. Certified for damp locations and intended for interior use.

APPEARANCE

Materials	Steel, Glass
Finishes	English Bronze, Frosted
Finish Will Vary	No
Top Coat/Sealant	Yes

DIMENSIONS

Overall	W: 46 in x D: 28 in x H: 17 in
Canopy	W: 20.5 in x D: 5 in x H: 1 in
Chandelier	W: 46 in x D: 28 in x H: 12 in
Overall Hanging Height as Sold (in)	47 in - 17 in

WIRING

Wire Rating	Damp
Cord	10 FT, Black/White, SVT
Socket	6, Type A - E26
Suggested Bulb Type	G16.5
Maximum Wattage	60.0
Voltage	110-120 V

CERTIFICATIONS & COMPLIANCY

Certifications	Middle East, European Union, United Kingdom, Australia, Mexico, United States, Canada
Compliance	RoHS, UL/ETL, CB

SHIPPING

Product Weight	30.0 lbs
Gross Weight 1	40.9 lbs
Shipping Box 1	W: 12.6 in x D: 28 in x H: 41.75 in

CONTRACT

Contract Suitability	Contract Suitable As Is
----------------------	-------------------------

SLOPE CEILING COMPATIBILITY

Sloped Ceiling Compatible	Yes, with purchase of pivot
---------------------------	-----------------------------

COMPONENTS

Pipe or Chain Included	(2) 4", (2) 6", (4) 12"
------------------------	-------------------------

ADDITIONAL PARTS AVAILABLE

PIPE-487	(1) 4", (1) 6", (1) 12"
PIVOT-202	

REPLACEMENT PARTS

CANOPY-633	
DRC02GLS	