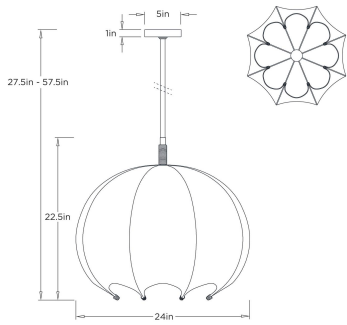


LUNARIA PENDANT



DSC17 LUNARIA PENDANT ARTERIOS



DSC17  
Ivory, Faux Vellum

Luminous and serene, the Lunaria Pendant is defined by its softly billowed, moon-like canopy. Crafted from ivory faux vellum, the shade captures and diffuses light to create a gentle, celestial radiance throughout the room. Each subtle point terminates in a tailored wrapped metal detail, introducing a refined structural accent that contrasts beautifully with the organic curvature of the form. The balance of warm materiality and sculptural detailing lends depth, texture, and a quiet yet distinctive presence to the space.

APPEARANCE

Materials	Faux Vellum, Iron, Brass
Finishes	Ivory, Antique Brass, Antique Brass
Finish Will Vary	No
Top Coat/Sealant	No

DIMENSIONS

Overall	Dia: 24 in x H: 27.5 in
Body	Dia: 24 in x H: 22.5 in
Globe	Dia: 24 in x H: 18.5 in
Canopy	Dia: 5 in x H: 1 in
Pendant	Dia: 24.0 in x H: 22.5 in
Overall Hanging Height as Sold (in)	45.5 in - 27.5 in

WIRING

Wire Rating	Damp
Cord	10 FT, Clear/Silver, SPT-2
Socket	1, Type A - E26
Suggested Bulb Type	G40
Maximum Wattage	8
Voltage	110-120 V

SHIPPING

Product Weight	4.9 lbs
Gross Weight 1	13.2 lbs
Shipping Box 1	W: 23 in x D: 24 in x H: 24 in

ADDITIONAL INFO

Features	Assembly Required
----------	-------------------

CONTRACT

Contract Suitability	Contract Suitable As Is
----------------------	-------------------------

COMPONENTS

Pipe or Chain Included	(1) 4", (1) 6", (2) 12" Pipes
------------------------	-------------------------------

ADDITIONAL PARTS AVAILABLE

PIPE-504	(1) 4", (1) 6", (1) 12"
----------	-------------------------