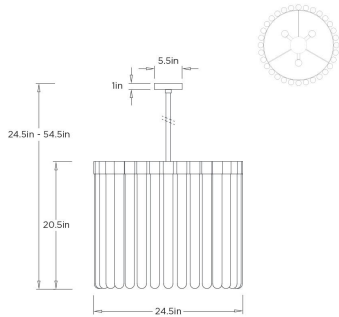


ARTERIOS

MAXTON CHANDELIER



*ADDITIONAL PIPE AVAILABLE

DS112 MAXTON CHANDELIER

ARTERIOS



DS112

Smokey Ombre, Glass

Twenty-seven cylindrical glass tubes are individually hand-blown into a mold, creating subtle variations in the interior and exterior form of this unique chandelier. These nuanced irregularities create slight shifts in the suspension and enhance the layered interplay of opacity and translucence within the smoke ombré finish. Anchored from a bronze-plated iron armature, this contemporary chandelier delivers sculptural statement lighting for luxury interiors. Each glass tube is topped with an acrylic disc that limits dust accumulation within the piece. Certified for

APPEARANCE

Materials	Glass, Iron
Finishes	Smokey Ombre, Bronze
Finish Will Vary	Yes
Top Coat/Sealant	Yes

DIMENSIONS

Overall	Dia: 24.5 in x H: 24.5 in
Canopy	Dia: 5.5 in x H: 1 in
Chandelier	Dia: 24.5 in x H: 20.5 in
Overall Hanging Height as Sold (in)	54.5 in - 24.5 in

WIRING

Wire Rating	Damp
Cord	10 FT, Black, SVT
Socket	3, Type A - E26
Suggested Bulb Type	G16.5
Maximum Wattage	40.0
Voltage	110-120 V

CERTIFICATIONS & COMPLIANCY

Certifications	Mexico, United States, Canada
Compliance	RoHS, UL/ETL

SHIPPING

Shipping Requirements	Truck Ship
Product Weight	58.0 lbs
Gross Weight 1	70.0 lbs
Shipping Box 1	W: 25.5 in x D: 25.5 in x H: 16.0 in

CONTRACT

Contract Suitability	Contract Suitable As Is
----------------------	-------------------------

SLOPE CEILING COMPATIBILITY

Sloped Ceiling Compatible	No, is not compatible
---------------------------	-----------------------

ADDITIONAL PARTS AVAILABLE

PIPE-625	(1) 3", (1) 6", (1) 12"
----------	-------------------------

REPLACEMENT PARTS

PIPE-625
