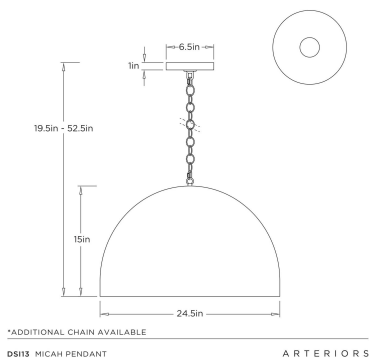


# ARTERIOS

## MICAH PENDANT



DS113  
Antique Bronze, Iron

Intriguing inside and out, a textured dome of antique bronze-plated iron was influenced by floral patterns. The bell-shaped shade is hung from a matching chain and canopy, allowing the simple silhouette to put the focus on the organic texture. Certified for damp locations and intended for interior use. Finish will vary.

### APPEARANCE

Materials	Iron
Finishes	Antique Bronze
Finish Will Vary	Yes
Top Coat/Sealant	Yes

### DIMENSIONS

Overall	Dia: 24.5 in x H: 19.5 in
Canopy	Dia: 6.5 in x H: 1 in
Pendant	Dia: 24.5 in x H: 15 in
Overall Hanging Height as Sold (in)	52.5 in - 19.5 in

### WIRING

Wire Rating	Damp
Cord	10 FT, Clear/Silver, SVT
Socket	1, Type A - E26
Suggested Bulb Type	G40
Maximum Wattage	60.0
Voltage	110-120 V

### CERTIFICATIONS & COMPLIANCY

Certifications	Middle East, European Union, United Kingdom, Mexico, United States, Canada
Compliance	RoHS, UL/ETL, CB

### SHIPPING

Product Weight	14.0 lbs
Gross Weight 1	22.0 lbs
Shipping Box 1	W: 28.0 in x D: 28.0 in x H: 22.0 in

### CONTRACT

Contract Suitability	Contract Suitable As Is
----------------------	-------------------------

### SLOPE CEILING COMPATIBILITY

Sloped Ceiling Compatible	Yes, as is
---------------------------	------------

### ADDITIONAL PARTS AVAILABLE

CHN-316	36"
---------	-----

### REPLACEMENT PARTS

CHN-316
---------