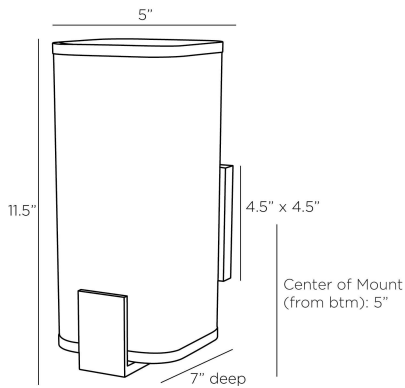


ARTERIOS

BRAXTON WALL SCONCE



DWC03
White, Crinkled Paper

When a hint of zen is required, the minimal Braxton fits the bill. Supports of solid steel finished in English bronze clasp a delicate shade of white crinkled paper. Organic in feel, with elegant soft edges. Certified for damp locations and intended for interior use. Finish will vary.

APPEARANCE

Materials	Crinkled Paper, Steel
Finishes	White, English Bronze
Finish Will Vary	Yes
Top Coat/Sealant	No

DIMENSIONS

Overall	W: 5 in x D: 7 in x H: 11.5 in
Backplate	W: 4.5 in x D: 1 in x H: 4.5 in
Shade	W: 5 in x D: 5 in x H: 11 in
Center of Mount from Bottom	H: 5 in

WIRING

Wire Rating	Damp
Cord	0.5 FT, Black/White, SVT
Socket	1, Type A - E26
Suggested Bulb Type	A19
Maximum Wattage	60.0
Voltage	110-120 V

CERTIFICATIONS & COMPLIANCY

Certifications	Middle East, European Union, United Kingdom, Australia, Mexico, United States, Canada
Compliance	RoHS, UL/ETL, CB

SHIPPING

Product Weight	3.0 lbs
Gross Weight 1	5.5 lbs
Shipping Box 1	W: 9.5 in x D: 8.0 in x H: 13.5 in

CONTRACT

Contract Suitability	Contract Suitable As Is
----------------------	-------------------------