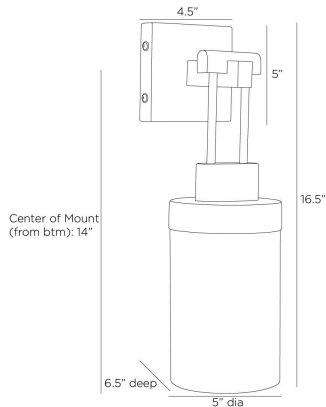


EVEREST OUTDOOR WALL SCONCE



DWC39
Marine Grade Aged Iron, Aluminum

A hanging lantern of opal glass and aged iron-powdercoated aluminum possesses an Eastern allure. Inspired by Japanese wood joinery, this minimalist style is finished with a protective coating to withstand the elements. Finish will vary.

APPEARANCE

Materials	Aluminum, Glass
Finishes	Marine Grade Aged Iron, Opal
Finish Will Vary	No
Top Coat/Sealant	Yes

DIMENSIONS

Overall	W: 5 in x D: 6.5 in x H: 16.5 in
Backplate	W: 4.5 in x D: 1 in x H: 5 in
Shade	Dia: 5.0 in x H: 7 in
Wall Sconce Hanging Orientation	Vertical Only
Center of Mount from Bottom	H: 14 in

WIRING

Wire Rating	Outdoor
Cord	0.5 FT, Black/White, SVT
Socket	1, Type A - E26
Suggested Bulb Type	A19
Maximum Wattage	60.0
Voltage	110-120 V

CERTIFICATIONS & COMPLIANCY

Certifications	Mexico, United States, Canada
Compliance	RoHS, UL/ETL

SHIPPING

Product Weight	5.0 lbs
Gross Weight 1	16.0 lbs
Shipping Box 1	W: 8.5 in x D: 13.5 in x H: 15.5 in

CONTRACT

Contract Suitability	Contract Suitable As Is
----------------------	-------------------------

REPLACEMENT PARTS

DWC39GLS

SWATCHES

AIMSW 4x4 Aged Iron Metal Swatch