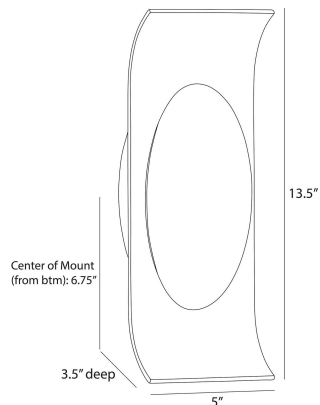


ARTERIO RS

JETER WALL SCONCE



DWC78
Brandy, Leather

An equestrian-inspired sconce of brandy leather adds a masculine appeal to any study or vanity. Centered by an oval opal globe, this minimalist style is even more dynamic when staged in a pair. Finish will vary. Certified for damp locations and intended for interior use.

APPEARANCE

| | |
|------------------|----------------|
| Materials | Leather, Glass |
| Finishes | Brandy, Opal |
| Finish Will Vary | Yes |
| Top Coat/Sealant | No |

DIMENSIONS

| | |
|---------------------------------|----------------------------------|
| Overall | W: 5 in x D: 3.5 in x H: 13.5 in |
| Backplate | W: 4.5 in x H: 8 in |
| Wall Sconce Hanging Orientation | Horizontal and Vertical |
| Center of Mount from Bottom | H: 6.75 in |

WIRING

| | |
|-----------------------|------------------------|
| Wire Rating | Damp |
| Cord | 1 FT, Black/White, SVT |
| Socket | 1, Integrated LED |
| Suggested Bulb Type | LED ONLY |
| Maximum Wattage | 2.0 |
| Voltage | 110-120 V |
| LED Color Temperature | 2700K |
| LED Compatible Dimmer | 0-10 V Dimmer |
| LED CRI | 90+ |
| LED Lifespan (Hours) | 20,000 |
| Spare Driver Included | No |

CERTIFICATIONS & COMPLIANCY

| | |
|------------|------|
| Compliance | RoHS |
|------------|------|

SHIPPING

| | |
|----------------|-------------------------------------|
| Product Weight | 5.0 lbs |
| Gross Weight 1 | 6.17 lbs |
| Shipping Box 1 | W: 10.4 in x D: 16.3 in x H: 9.4 in |

CONTRACT

| | |
|----------------------|-------------------------|
| Contract Suitability | Contract Suitable As Is |
|----------------------|-------------------------|

REPLACEMENT PARTS

DWC78GLS