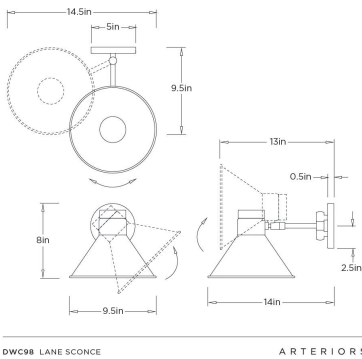


# ARTERIOS

## LANE WALL SCONCE



DWC98  
Bronze, Iron

The Lane showcases a schoolhouse mid-century inspired shade in a new finish of rubbed bronze-plated iron. Delivering a retro yet modern look, an antique brass-plated iron frame contrasts the dark shade. An articulated arm pivots side to side, up and down, allowing the choice of light direction. Certified for damp locations and intended for interior use. Finish will vary.

### APPEARANCE

Materials	Iron, Iron
Finishes	Bronze, Antique Brass
Finish Will Vary	Yes
Top Coat/Sealant	Yes

### DIMENSIONS

Overall Adjustable	W: 9.5-14.5 in x D: 10-15 in x H: 8-9.5 in
Arm	W: 0.5 in x D: 6 in x H: 0.5 in
Backplate	D: 1 in x Dia: 5.0 in
Shade	Dia: 9.5 in x H: 8 in
Wall Sconce Hanging Orientation	Vertical Only
Center of Mount from Bottom	H: 2.5 in
Mount	Dia: 4.5 in

### WIRING

Wire Rating	Damp
Cord	1 FT, Black, SVT
Socket	1, Type A - E26
Suggested Bulb Type	A19
Maximum Wattage	60.0
Voltage	110-120 V

### CERTIFICATIONS & COMPLIANCY

Certifications	Mexico, United States, Canada
Compliance	RoHS, UL/ETL

### SHIPPING

Product Weight	3.0 lbs
Gross Weight 1	4.2 lbs
Shipping Box 1	W: 27.46 in x D: 14.96 in x H: 33.46 in

### CONTRACT

Contract Suitability	Contract Suitable As Is
----------------------	-------------------------