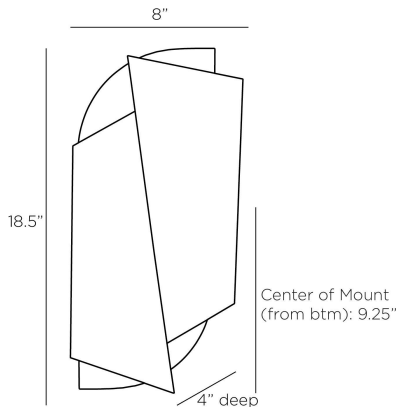


ARTERIOS

ALDRIDGE WALL SCONCE



DW111
Blackened Iron, Iron

Playful intersecting planes of waxed blackened iron and black chiseled marble make an eye-catching mix in this modern sconce. Making the most of its intriguing lattice surface, it is designed so that light will reflect off the chiseled marble surface, delivering a soft and moody glow to any space. Certified for damp locations and intended for interior use. Finish will vary.

APPEARANCE

Materials	Iron, Marble
Finishes	Blackened Iron, Black
Finish Will Vary	Yes
Top Coat/Sealant	Yes

DIMENSIONS

Overall	W: 8 in x D: 4 in x H: 18.5 in
Backplate	D: 1 in x Dia: 5.0 in
Wall Sconce Hanging Orientation	Horizontal and Vertical
Center of Mount from Bottom	H: 9.25 in

WIRING

Wire Rating	Damp
Cord	0.5 FT, Clear/Silver, SPT-2
Socket	2, Type B - E12
Suggested Bulb Type	B10
Maximum Wattage	25.0
Voltage	110-120 V

CERTIFICATIONS & COMPLIANCY

Certifications	Middle East, European Union, United Kingdom, Australia, Mexico, United States, Canada
Compliance	RoHS, UL/ETL, CB

SHIPPING

Product Weight	13.0 lbs
Gross Weight 1	18.74 lbs
Shipping Box 1	W: 7.1 in x D: 11.0 in x H: 21.3 in

ADDITIONAL INFO

Features	ADA
----------	-----

CONTRACT

Contract Suitability	Contract Suitable As Is
----------------------	-------------------------