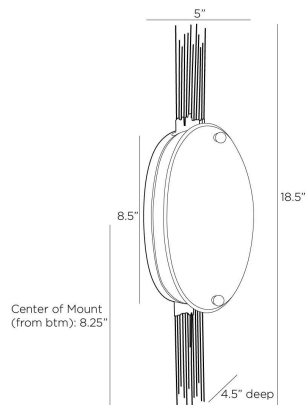


# ARTERIO RS

## ERNEST WALL SCONCE



DWI16  
Clear, Glass

The shield-like Ernest casts an alluring mix of shadow and light wherever it is hung. Recalling a Brutalist brooch, a frame of natural iron, welded with antique-brass, seemingly “pierces” the fixture of clear seedy glass containing a single bulb. Antique brass rivet detail. Finish will vary.

### APPEARANCE

Materials	Glass, Iron, Brass
Finishes	Clear, Natural, Antique Brass
Finish Will Vary	Yes
Top Coat/Sealant	No

### DIMENSIONS

Overall	W: 5 in x D: 4.5 in x H: 18.5 in
Backplate	W: 4.5 in x D: 1 in x H: 8.5 in
Shade	W: 5 in x D: 1.5 in x H: 9 in
Wall Sconce Hanging Orientation	Horizontal and Vertical
Center of Mount from Bottom	H: 8.25 in

### WIRING

Wire Rating	Damp
Cord	1 FT, Clear/Silver, SVT
Socket	1, Type B - E12
Suggested Bulb Type	T6
Maximum Wattage	25.0
Voltage	110-120 V

### CERTIFICATIONS & COMPLIANCY

Certifications	Middle East, European Union, United Kingdom, Australia, Mexico, United States, Canada
Compliance	RoHS, UL/ETL, CB

### SHIPPING

Product Weight	3.3 lbs
Gross Weight 1	5.0 lbs
Shipping Box 1	W: 7.0 in x D: 20.5 in x H: 9.5 in

### CONTRACT

Contract Suitability	Contract Suitable As Is
----------------------	-------------------------

### REPLACEMENT PARTS

DWI16GLS