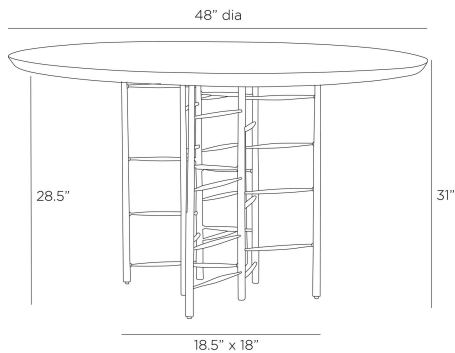


# ARTERIOS

## ENITO ENTRY TABLE



FDI05  
Smoke, Wood

Intersecting planes of blackened iron form a counterpart to smoke oak wood. The ladder-like supports of this modern design lend intrigue to any entryway or great room. Finish will vary.

### APPEARANCE

Materials	Wood, Iron
Finishes	Smoke, Blackened Iron
Finish Will Vary	Yes
Top Coat/Sealant	Yes

### DIMENSIONS

Overall	Dia: 48.0 in x H: 31 in
Foot Print	W: 18.5 in x D: 18 in
Table Top	Dia: 48.0 in x H: 2 in
Diagonal Dimensions	W: 57.5 in

### SHIPPING

Shipping Requirements	Truck Ship
Product Weight	137.0 lbs
Gross Weight 1	66.15 lbs
Gross Weight 2	110.25 lbs
Shipping Box 1	W: 31.0 in x D: 27.0 in x H: 27.0 in
Shipping Box 2	W: 5.0 in x D: 51.0 in x H: 51.0 in

### ADDITIONAL INFO

Features	Assembly Required
Disclaimers	These unique designs make beautiful dining tables, but please note that placing hot or wet items on the surface can mar the finish.
Base/Foot Type	Glides

### CONTRACT

Commercial Maintenance	Check all hardware connections periodically to ensure they are tightened.
Contract Suitability	Contract Suitable With Conditions
Contract Conditions	For an additional fee, a clear, protective coating can be added

### REPLACEMENT PARTS

FDI05FOOT