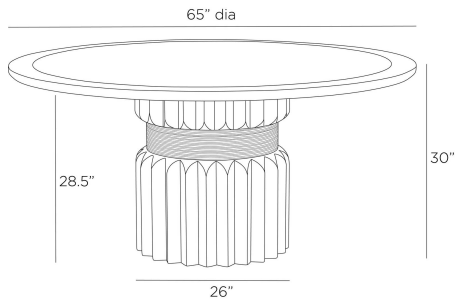


ECHO OUTDOOR DINING TABLE



FDS14
Willow, Teak Veneer

Carved and cinched with a length of wrapped willow synthetic rope, this grade A teak veneer table in a willow finish balances the tension between soft details and sharp facets. The round top is further enhanced with graining that radiates from its very center, complementing the pedestal base. Crafted from engineered marine grade hardwood. Finish will vary.

APPEARANCE

Materials	Teak Veneer, Rope, Marine Grade Engineered Hardwood
Finishes	Willow, Willow
Finish Will Vary	Yes
Top Coat/Sealant	Yes

DIMENSIONS

Overall	Dia: 65.0 in x H: 30 in
Foot Print	Dia: 26.0 in
Base	Dia: 26.0 in x H: 28.5 in
Table Top	Dia: 65.0 in x H: 1.5 in
Diagonal Dimensions	W: 72 in

SHIPPING

Shipping Requirements	Special Handling Required
Product Weight	331.0 lbs
Gross Weight 1	180.0 lbs
Gross Weight 2	180.0 lbs
Shipping Box 1	W: 28.74 in x D: 50.8 in x H: 36.34 in
Shipping Box 2	W: 69.0 in x D: 69.0 in x H: 8.0 in

ADDITIONAL INFO

Disclaimers	These unique designs make beautiful dining tables, but please note that placing hot or wet items on the surface can mar the finish.
Base/Foot Type	Adjustable Glides

CONTRACT

Contract Suitability	Contract Suitable As Is
----------------------	-------------------------

REPLACEMENT PARTS

OTDREPLFOOT2

SWATCHES

WSPSW 6x6 Swatch: Willow Synthetic Rope
WWSW 2x2 Swatch: Willow Teak Wood