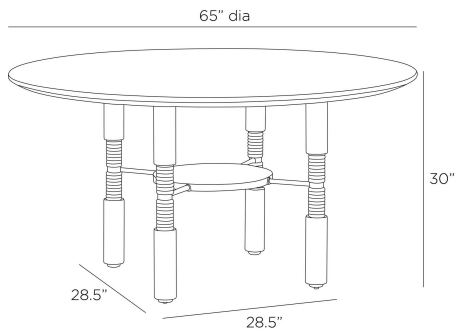


ARTERIOS

HEGER DINING TABLE



FDS16
Tortoise, Oak Veneer

A tortoise oak veneer dining table highlights the best woodworking elements—from a radial sunburst top to the telescope dowel legs. Secured with a bronze finished brass stretcher and center plate like a metal bolt, the overscaled proportions make it an eye-catching addition to any dining room. Wood will vary.

APPEARANCE

Materials	Oak Veneer, Brass
Finishes	Tortoise, Bronze
Finish Will Vary	Yes
Top Coat/Sealant	Yes

DIMENSIONS

Overall	Dia: 65.0 in x H: 30 in
Foot Print	W: 28.5 in x D: 28.5 in
Leg	Dia: 3.5 in x H: 28.5 in
Seat Clearance	D: 19 in
Diagonal Dimensions	W: 72 in

SHIPPING

Shipping Requirements	Truck Ship
Product Weight	170.6 lbs
Gross Weight 1	79.0 lbs
Gross Weight 2	90.0 lbs
Shipping Box 1	W: 32.0 in x D: 32.0 in x H: 31.1 in
Shipping Box 2	W: 69.0 in x D: 69.0 in x H: 6.5 in

ADDITIONAL INFO

Features	Assembly Required
Disclaimers	These unique designs make beautiful dining tables, but please note that placing hot or wet items on the surface can mar the finish.
Base/Foot Type	Adjustable Levelers

CONTRACT

Contract Suitability	Contract Suitable As Is
----------------------	-------------------------

SWATCHES

TWSW 2x2 Swatch: Tortoise Wood