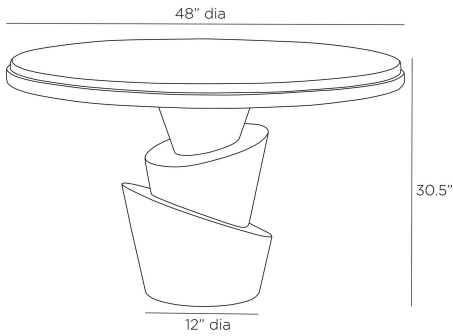


FIGUEROA OUTDOOR ENTRY TABLE



FDS19
Ivory, Concrete Composite

Figueroa's tiered fountain base is a functional piece of outdoor sculpture, suggesting its harmony with natural elements. Cast of ivory concrete composite, it is sturdy enough for outdoor use yet elegant enough for an indoor setting. The ribbed texture on the tabletop's edge adds a dimensional accent that draws the eye upward.

APPEARANCE

Materials	Concrete Composite
Finishes	Ivory
Finish Will Vary	No
Top Coat/Sealant	Yes

DIMENSIONS

Overall	Dia: 48.0 in x H: 30.5 in
Foot Print	Dia: 12.0 in
Table Top	Dia: 47.0 in x H: 3 in
Diagonal Dimensions	W: 57 in

SHIPPING

Shipping Requirements	Truck Ship
Product Weight	227.5 lbs
Gross Weight 1	130.0 lbs
Gross Weight 2	103.6 lbs
Shipping Box 1	W: 23.75 in x D: 23.75 in x H: 32.75 in
Shipping Box 2	W: 52.75 in x D: 52.75 in x H: 7.25 in

ADDITIONAL INFO

Features	Assembly Required
Disclaimers	These unique designs make beautiful dining tables, but please note that placing hot or wet items on the surface can mar the finish.
Base/Foot Type	Felt Pads

CONTRACT

Contract Suitability	Contract Suitable As Is
----------------------	-------------------------

REPLACEMENT PARTS

RUBBERPAD

SWATCHES

ICCSW 6x6 Swatch: Ivory Outdoor Concrete Composite