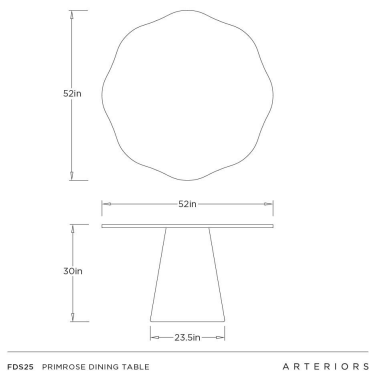


ARTERIOS

PRIMROSE DINING TABLE



FDS25
Sahara Faux Marble, Concrete Composite

The Primrose Dining Table is a striking expression of biophilic form, drawing inspiration from the organic curves and fluid shapes found in nature. Crafted from concrete composite in a faux Sahara marble finish, this rich, earthy palette brings a grounded yet luxurious presence to any interior, making it an ideal centerpiece for a dining room or a grand foyer.

APPEARANCE

Materials	Concrete Composite
Finishes	Sahara Faux Marble
Finish Will Vary	Yes
Top Coat/Sealant	No

DIMENSIONS

Overall	Dia: 52.0 in x H: 30 in
Foot Print	Dia: 23.5 in
Table Top Clearance	H: 28.5 in
Table Top	Dia: 52.0 in x H: 1 in
Table Top Thickness	H: 1.5 in

SHIPPING

Shipping Requirements	Truck Ship
Gross Weight 1	111.66 lbs
Gross Weight 2	158.84 lbs
Shipping Box 1	W: 29.75 in x D: 29.75 in x H: 35.25 in
Shipping Box 2	W: 58.75 in x D: 58.75 in x H: 7.25 in

ADDITIONAL INFO

Features	Assembly Required
Disclaimers	These unique designs make beautiful dining tables, but please note that placing hot or wet items on the surface can mar the finish.
Base/Foot Type	Adjustable Glides

CONTRACT

Commercial Maintenance	Hardware may need occasional tightening over time with use.
Contract Suitability	Contract Suitable As Is
Tilt Test Degrees	10 Degrees

SWATCHES

SCSW 4x4 Swatch: Sahara Concrete