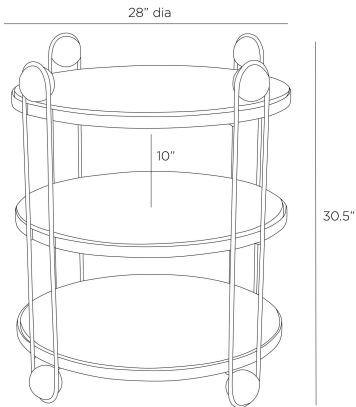


# ARTERIOS

## CARLITA END TABLE



FEI25  
White, Marble

Clamped in a delicate framework of bronze-plated iron, a trio of white marble shelves makes an elegant end table or standing bar. Punctuated with polished bronze iron spheres at top and bottom. Finish will vary.

### APPEARANCE

Materials	Marble, Iron
Finishes	White, Bronze
Finish Will Vary	Yes
Top Coat/Sealant	Yes

### DIMENSIONS

Overall	Dia: 28.0 in x H: 30.5 in
Foot Print	Dia: 28.0 in
Shelf Clearance	H: 10 in
Table Top	Dia: 24.5 in x H: 1.5 in
Diagonal Dimensions	W: 41.5 in

### SHIPPING

Shipping Requirements	Truck Ship
Product Weight	138.4 lbs
Gross Weight 1	37.5 lbs
Gross Weight 2	128.3 lbs
Shipping Box 1	W: 35.0 in x D: 30.5 in x H: 30.5 in
Shipping Box 2	W: 29.5 in x D: 18.25 in x H: 29.5 in

### ADDITIONAL INFO

Features	Assembly Required
----------	-------------------

### CONTRACT

Commercial Maintenance	Check all hardware connections periodically to ensure they are tightened.
Contract Suitability	Contract Suitable With Conditions
Contract Conditions	Natural stone requires periodic sealing, For an additional fee, a clear, protective coating can be added