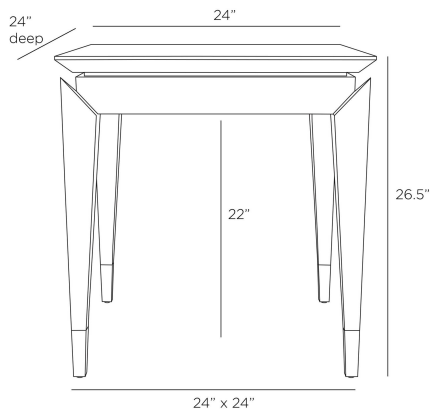


# ARTERIOS

## TARTEN END TABLE



FES03  
Brindle, Eucalyptus Veneer

The masterfully crafted, vintage inspired Tarten end table makes a stunning addition to any style interior. Crafted in brindle eucalyptus veneer, the square accent table features applied legs with severe angles that emphasize the antique brass reveal edging the surface. A beautiful, feathered radial pattern decorates the chamfered top. Finish will vary.

### APPEARANCE

Materials	Eucalyptus Veneer, Brass
Finishes	Brindle, Antique Brass
Finish Will Vary	Yes
Top Coat/Sealant	Yes

### DIMENSIONS

Overall	W: 24 in x D: 24 in x H: 26.5 in
Foot Print	W: 24 in x D: 24 in
Table Top	W: 24 in x D: 24 in
Diagonal Dimensions	W: 35 in

### SHIPPING

Shipping Requirements	Truck Ship
Product Weight	30.0 lbs
Gross Weight 1	40.0 lbs
Shipping Box 1	W: 28 in x D: 28 in x H: 31 in

### ADDITIONAL INFO

Base/Foot Type	Glides
----------------	--------

### CONTRACT

Contract Suitability	Contract Suitable As Is
Tilt Test Degrees	12 Degrees

### SWATCHES

BWSW 2x2 Swatch: Brindle Wood