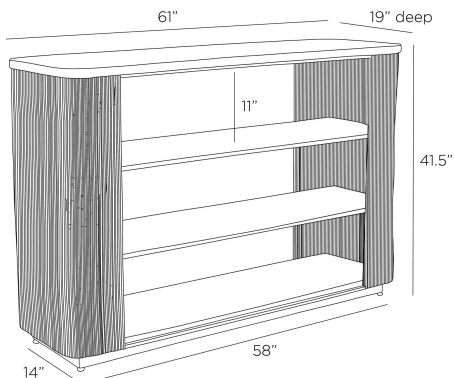


ARTERIOS

EASTON BOOKSHELF



FGI05
Natural, Iron

Deco-inspired lines and natural forms make a match on an intriguing low shelf. Four natural iron shelves are secured and adorned with shimmering antique brass welds. This translucent, star-studded effect will elevate any collection. Finish will vary.

APPEARANCE

Materials	Iron, Brass
Finishes	Natural, Antique Brass
Finish Will Vary	Yes
Top Coat/Sealant	Yes

DIMENSIONS

Overall	W: 61 in x D: 19 in x H: 41.5 in
Foot Print	W: 58 in x D: 14 in
Shelf	W: 59.5 in x D: 17 in x H: 1 in
Table Top	W: 61 in x D: 19 in x H: 1.5 in
Diagonal Dimensions	W: 46 in

SHIPPING

Shipping Requirements	Truck Ship
Product Weight	193.8 lbs
Gross Weight 1	270.55 lbs
Shipping Box 1	W: 43.5 in x D: 21.5 in x H: 63.0 in

ADDITIONAL INFO

Shelf Count	3
-------------	---

CONTRACT

Contract Suitability	Contract Suitable As Is
----------------------	-------------------------