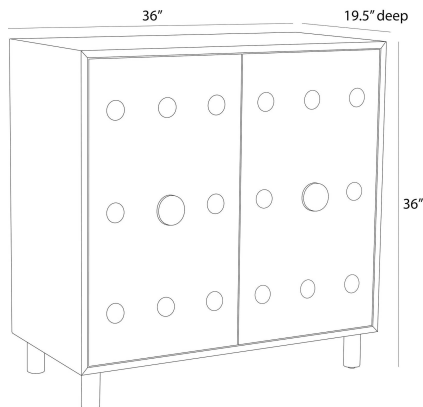


ARTERIOS

KEANU CABINET



FNS17
Truffle Burl, Olive Ash Veneer

Punctuated by vintage brass inlays, this olive ash veneer cabinet is reminiscent of a fashionable tailored and buttoned vest. The truffle burl finish adds a hint of graphic glamour while playing up the dramatic contrast with the blending hardware. Double soft-close doors open to reveal two adjustable shelves. Encased in a matching truffle olive ash veneer frame. Finish will vary.

APPEARANCE

Materials	Olive Ash Veneer, Olive Ash Veneer, Brass
Finishes	Truffle Burl, Truffle, Vintage Brass
Finish Will Vary	Yes
Top Coat/Sealant	No

DIMENSIONS

Overall	W: 36 in x D: 19.5 in x H: 36 in
Foot Print	W: 34 in x D: 16 in
Leg	Dia: 2.0 in x H: 4.5 in
Door	W: 17 in x D: 1 in x H: 30.5 in
Cabinet Interior	W: 34.5 in x D: 16 in x H: 29 in
Shelf	W: 34.5 in x D: 15 in x H: 1.5 in
Table Top	W: 36 in x D: 18 in
Diagonal Dimensions	W: 37 in

SHIPPING

Shipping Requirements	Truck Ship
Product Weight	140.1 lbs
Gross Weight 1	172.84 lbs
Shipping Box 1	W: 23.03 in x D: 39.17 in x H: 41.14 in

ADDITIONAL INFO

Features	Anti-Tip Kit Included
----------	-----------------------

CONTRACT

Contract Suitability	Contract Suitable As Is
----------------------	-------------------------

SWATCHES

TOAWS 2x2 Swatch: Truffle Burl Olive Ash Veneer W