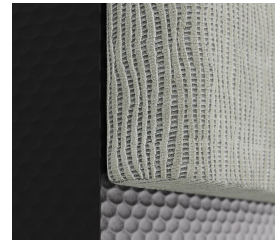
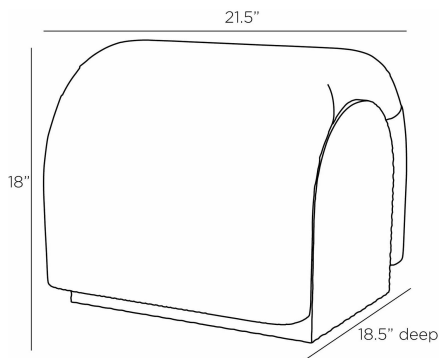


ARTERIOS

BUCEK OTTOMAN



FOI09
Lichen, Velvet

Inspired by a classic pommel horse from the world of gymnastics, our rounded ottoman is finished in comfortable yet durable lichen velvet wrapping a base of ebony-finished hand-carved mango wood. This super-powered essential is a modern accent for any room.

APPEARANCE

Materials	Velvet, Wood
Finishes	Lichen, Ebony
Finish Will Vary	Yes
Top Coat/Sealant	Yes

DIMENSIONS

Overall	W: 21.5 in x D: 18.5 in x H: 18 in
Foot Print	W: 21 in x D: 12.5 in

SHIPPING

Product Weight	20.6 lbs
Gross Weight 1	88.2 lbs
Shipping Box 1	W: 22.0 in x D: 28.0 in x H: 22.0 in

ADDITIONAL INFO

Fabric Certification	Barrier Cloth used for TB117-2013
Fabric Composition	30% Cotton, 70% Viscose
Fabric Cleaning Code	S - dry clean only
Fabric Wear Abrasion	50,000
Reupholstery Requirements	1 Yard
Base/Foot Type	Glides

CONTRACT

Contract Suitability	Contract Suitable As Is
Contract Textile Suitability	High Traffic/Public Spaces

SWATCHES

V12SW 4x4 Swatch: Lichen Velvet