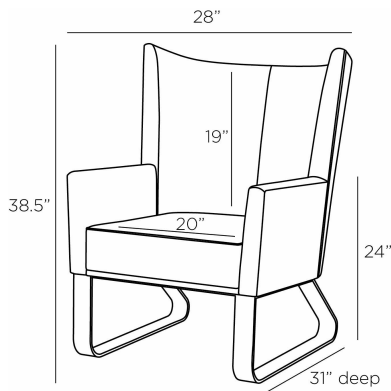


ARTERIOS

BLEU WINGBACK CHAIR



FRI09
Storm, Leather

The classic masculine wingback gets modernized with flowing lines and wrapped-leather details. This square-backed essential was built for comfort and style with a fully upholstered finish of storm leather. Topstitched details add extra interest. Leather will vary.

APPEARANCE

Materials	Leather
Finishes	Storm
Finish Will Vary	Yes
Top Coat/Sealant	No

DIMENSIONS

Overall	W: 28 in x D: 31 in x H: 38.5 in
Foot Print	W: 25.5 in x D: 25 in
Arm	W: 3.5 in x D: 15.5 in x H: 24 in
Leg	W: 2.5 in x D: 25 in
Seat Back	W: 23 in x H: 18.5 in
Seat	W: 20 in x D: 24 in x H: 19 in
Diagonal Dimensions	W: 45.5 in

SHIPPING

Shipping Requirements	Truck Ship
Product Weight	78.2 lbs
Gross Weight 1	97.02 lbs
Shipping Box 1	W: 33.9 in x D: 37.0 in x H: 43.3 in

ADDITIONAL INFO

Disclaimers	This piece is made with genuine leather. The variations in color are a natural characteristic of leather and may increase over time, adding to the individuality of your item. Please keep this away from prolonged intense sunlight, heat and humidity.
-------------	--

Fabric Certification	NFPA-260, TB117-2013
Fabric Composition	100% Leather
Fabric Cleaning Code	Leather Cleaner
Reupholstery Requirements	70 Square Feet 4 Yards
Base/Foot Type	Glides

CONTRACT

Contract Suitability	Contract Suitable As Is
Contract Textile Suitability	High Traffic/Public Spaces