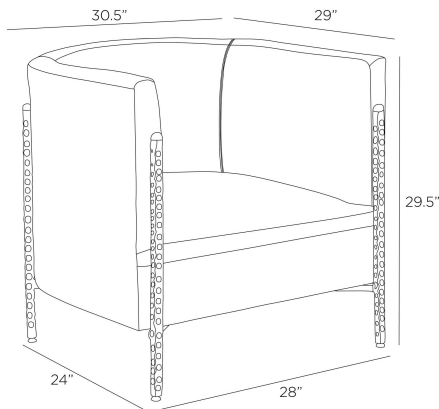


ARTERIOS

ESCONDIDO LOUNGE CHAIR



FRI12
Dove, Leather

A barrel-shaped chair of dove leather was designed to cradle your form with comfort and style. Framed in bronzed steel with a dimpled texture, the Escondido's supportive back post aligns with the stitching of the cushion. Finished with frame pulls for easy portability within a room. Leather will vary.

APPEARANCE

Materials	Leather, Steel
Finishes	Dove, Bronze
Finish Will Vary	Yes
Top Coat/Sealant	Yes

DIMENSIONS

Overall	W: 30.5 in x D: 29 in x H: 29.5 in
Foot Print	W: 28 in x D: 24 in
Arm	W: 5 in x D: 22 in
Leg	W: 1 in x D: 1 in x H: 25 in
Seat Back	W: 17 in x D: 3 in x H: 14 in
Seat	W: 20.5 in x D: 24.5 in x H: 15.5 in
Diagonal Dimensions	W: 42.5 in

SHIPPING

Shipping Requirements	Truck Ship
Product Weight	53.1 lbs
Gross Weight 1	70.12 lbs
Shipping Box 1	W: 36.2 in x D: 35.43 in x H: 37.8 in

ADDITIONAL INFO

Disclaimers	This piece is made with genuine leather. The variations in color are a natural characteristic of leather and may increase over time, adding to the individuality of your item. Please keep this away from prolonged intense sunlight, heat and humidity.
-------------	--

Fabric Certification	TB117-2013
Fabric Composition	100% Leather
Fabric Cleaning Code	Leather Cleaner
Reupholstery Requirements	180 Square Feet 10 Yards

CONTRACT

Contract Suitability	Contract Suitable As Is
Contract Textile Suitability	High Traffic/Public Spaces

REPLACEMENT PARTS

FRI12FOOT

SWATCHES

T13SW 4x4 Swatch: Dove Leather