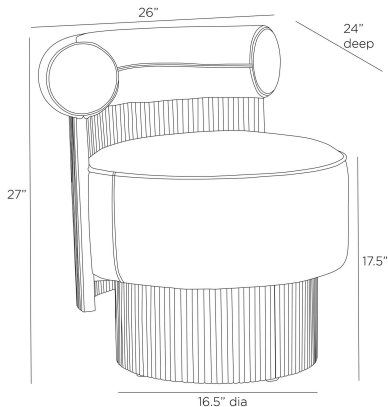


ERHART CHAIR



FRI13
White, Hair on Hide

A traditional swivel chair is enhanced with a tubular bolster back for a playful—yet comfortable—edge. Designed in soft white hair-on-hide, it features textural reeded beech wood details of deepest ebony to deliver much-needed visual contrast. Round textural base. Hide will vary.

APPEARANCE

Materials	Hair on Hide, Wood
Finishes	White, Ebony
Finish Will Vary	Yes
Top Coat/Sealant	Yes

DIMENSIONS

Overall	W: 26 in x D: 24 in x H: 27 in
Foot Print	Dia: 16.5 in
Base	Dia: 16.5 in x H: 8 in
Seat Back	W: 26 in x D: 7 in x H: 9 in
Seat	Dia: 21.5 in x H: 17.5 in
Diagonal Dimensions	W: 37.5 in

SHIPPING

Shipping Requirements	Truck Ship
Product Weight	43.0 lbs
Gross Weight 1	58.0 lbs
Shipping Box 1	W: 30.7 in x D: 28.34 in x H: 28.34 in

ADDITIONAL INFO

Disclaimers	As a natural hide, each piece will vary and no two are alike.
Fabric Certification	TB117-2013
Fabric Composition	100% Leather
Fabric Cleaning Code	S - dry clean only
Reupholstery Requirements	99 Square Feet 5.5 Yards
Base/Foot Type	Glides

CONTRACT

Contract Suitability	Contract Suitable As Is
Contract Textile Suitability	Low Traffic/Private Spaces

SWATCHES

T29SW 4x4 Swatch: White Hide