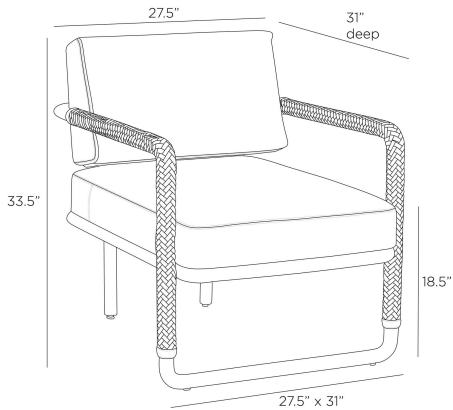


ARTERIOS

DURHAM CHAIR



FRI15
Cognac, Leather

The classic leather club chair, updated with modern open arms and pieced details. Tactile braided leather of a rich cognac hue on each arm complements its sturdy mid-century lines. An open frame of blackened bronze stainless steel makes this generously scaled seat both airy and easy to place. Finish will vary.

APPEARANCE

Materials	Leather, Stainless Steel
Finishes	Cognac, Blackened Bronze
Finish Will Vary	Yes
Top Coat/Sealant	No

DIMENSIONS

Overall	W: 27.5 in x D: 31 in x H: 33.5 in
Foot Print	W: 27.5 in x D: 31 in
Arm	W: 2 in x D: 31 in x H: 2 in
Back Leg	Dia: 2.0 in x H: 12 in
Front Leg	W: 25.5 in x D: 2 in x H: 12 in
Seat Back	W: 24 in x D: 5.5 in x H: 26 in
Seat	W: 23.5 in x D: 30.5 in x H: 18.5 in
Diagonal Dimensions	W: 46 in

SHIPPING

Shipping Requirements	Truck Ship
Product Weight	43.3 lbs
Gross Weight 1	60.42 lbs
Shipping Box 1	W: 34.25 in x D: 30.0 in x H: 35.45 in

ADDITIONAL INFO

Disclaimers	This piece is made with genuine leather. The variations in color are a natural characteristic of leather and may increase over time, adding to the individuality of your item. Please keep this away from prolonged intense sunlight, heat and humidity.
-------------	--

Fabric Certification	TB117-2013
Fabric Composition	100% Leather
Fabric Cleaning Code	Leather Cleaner
Reupholstery Requirements	126 Square Feet 7 Yards
Base/Foot Type	Glides

CONTRACT

Contract Suitability	Contract Suitable As Is
Contract Textile Suitability	High Traffic/Public Spaces

REPLACEMENT PARTS

FRI12FOOT