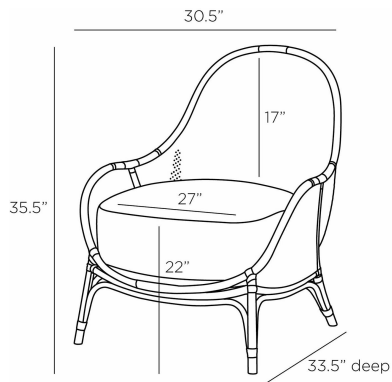


# ARTERIOS

## BONNIE LOUNGE CHAIR



FRS07  
Noir, Faux Leather

Sophisticated black rattan updates a traditional wicker lounge. Designed with rounded armrests and an egg-shaped back to encircle the body. Woven in a fine herringbone pattern and layered with a faux leather seat in noir. Rattan and leather will vary.

### APPEARANCE

|                  |                      |
|------------------|----------------------|
| Materials        | Faux Leather, Rattan |
| Finishes         | Noir, Black          |
| Finish Will Vary | Yes                  |
| Top Coat/Sealant | Yes                  |

### DIMENSIONS

|                     |                                      |
|---------------------|--------------------------------------|
| Overall             | W: 30.5 in x D: 33.5 in x H: 35.5 in |
| Foot Print          | W: 27 in x D: 25 in                  |
| Arm                 | W: 1.5 in x D: 12 in x H: 23 in      |
| Seat Back           | W: 27 in x H: 17 in                  |
| Seat                | W: 25 in x D: 27 in x H: 22 in       |
| Diagonal Dimensions | W: 45 in                             |

### SHIPPING

|                       |                                      |
|-----------------------|--------------------------------------|
| Shipping Requirements | Truck Ship                           |
| Product Weight        | 35.8 lbs                             |
| Gross Weight 1        | 58.4 lbs                             |
| Gross Weight 2        | 8.0 lbs                              |
| Shipping Box 1        | W: 33.0 in x D: 38.5 in x H: 38.5 in |
| Shipping Box 2        | W: 28.0 in x D: 28.0 in x H: 11.0 in |

### ADDITIONAL INFO

|                           |  |
|---------------------------|--|
| Features                  | Sustainable                                |
| Fabric Certification      | TB117-2013                                 |
| Fabric Composition        | 100% PVC, 75% Polyester/25% Cotton Backing |
| Fabric Cleaning Code      | P - clean with detergent & water           |
| Fabric Wear Abrasion      | 100,000                                    |
| Reupholstery Requirements | 3 Yards                                    |
| Base/Foot Type            | Nylon Glides                               |

### CONTRACT

|                              |   |
|------------------------------|---|
| Contract Suitability         | Contract Suitable With Conditions         |
| Contract Conditions          | Not for use in high traffic/public spaces |
| Contract Textile Suitability | High Traffic/Public Spaces                |

### SWATCHES

T38SW 4x4 Swatch: Noir Faux Leather