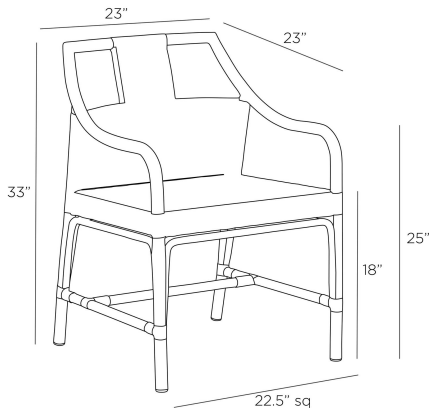


NEWTON OUTDOOR DINING CHAIR



FRS19
Chartreux Gray, Rattan

A casual style of traditional rush-woven synthetic rattan gets a stylish update in element-resistant chartreux gray wicker weave. It features a uniquely designed back detail that resembles a woven tapestry. The matching powder-coated aluminum gray frame is effortlessly balanced for maximum comfort. Finish will vary.

APPEARANCE

Materials	Rattan, Aluminum
Finishes	Chartreux Gray, Gray
Finish Will Vary	Yes
Top Coat/Sealant	Yes

DIMENSIONS

Overall	W: 23 in x D: 23 in x H: 33 in
Foot Print	W: 22.5 in x D: 22.5 in
Arm	W: 1.5 in x D: 12 in x H: 25 in
Seat Back	W: 20 in x D: 1 in x H: 16 in
Seat	W: 20 in x D: 18 in x H: 18 in
Diagonal Dimensions	W: 39 in

SHIPPING

Shipping Requirements	Truck Ship
Product Weight	14.7 lbs
Gross Weight 1	25.0 lbs
Shipping Box 1	W: 25.0 in x D: 25.0 in x H: 34.25 in

ADDITIONAL INFO

Base/Foot Type	Non-Adjustable Nylon Glides
----------------	-----------------------------

CONTRACT

Contract Suitability	Contract Suitable As Is
----------------------	-------------------------

REPLACEMENT PARTS

FRS19FOOT

SWATCHES

CGRSW5x5 Swatch: Chartreux Gray Synthetic Rattan
 GPASW 4x4 Swatch: Gray Powder Coated Aluminum
 CGRSB 4x4 Swatch: Chartreux Gray Synthtct Rattan
 SW Strndbrd