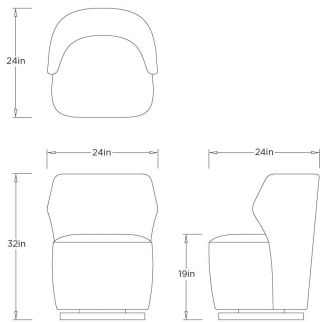


POPPY CHAIR FOREST VELVET



FRUIT POPPY SWIVEL CHAIR ARTERIOS



FRUIT
Forest, Velvet

Beautiful from every angle, this wing-armed swivel is scaled for smaller spaces, which makes it both versatile and visually impactful. The low, angular Poppy chair is upholstered in forest velvet and rests on a champagne iron plinth, creating a seat that is as elegant as it is comfortable.

APPEARANCE

Materials	Velvet, Iron
Finishes	Forest, Champagne
Finish Will Vary	No
Top Coat/Sealant	No

DIMENSIONS

Overall	W: 24 in x D: 25 in x H: 32 in
Foot Print	Dia: 19.0 in
Base	H: 3 in
Seat Back	W: 24 in x D: 4 in x H: 14 in
Seat	W: 22.5 in x D: 18 in x H: 19 in
Diagonal Dimensions	W: 38.5 in

SHIPPING

Shipping Requirements	Truck Ship
Product Weight	40.0 lbs
Gross Weight 1	84.0 lbs
Shipping Box 1	W: 32 in x D: 32 in x H: 37 in

ADDITIONAL INFO

Fabric Certification	NFPA-260, TB117-2013
Fabric Composition	74% Cotton, 26% Polyester
Fabric Cleaning Code	S - dry clean only
Fabric Wear Abrasion	100,000
Reupholstery Requirements	3.5 Yards Inside & Outside Seat Back: 2 Yards Seat: 1.5 Yards
Base/Foot Type	360 Swivel Mechanism

CONTRACT

Contract Suitability	Contract Suitable As Is
Contract Textile Suitability	High Traffic/Public Spaces

SWATCHES

V32SW 4x4 Swatch: Forest Velvet