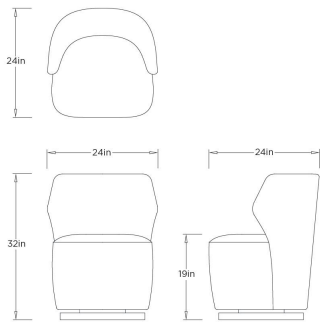


ARTERIOS

POPPY SWIVEL CHAIR COCOA



FRU15 POPPY SWIVEL CHAIR

ARTERIOS



FRU15
Cocoa, Velvet

The Poppy chair is a wing-armed swivel designed to be beautiful from every angle, featuring a scale specifically tailored for smaller spaces. This low-slung, angular silhouette is upholstered in a performance velvet and rests atop a dark walnut wooden base. The result is a versatile and visually impactful piece that offers an elegant and comfortable seating experience.

APPEARANCE

Materials	Velvet, Wood
Finishes	Cocoa, Dark Walnut
Finish Will Vary	No
Top Coat/Sealant	No

DIMENSIONS

Overall	W: 24 in x D: 24 in x H: 32 in
Leg	H: 1.5 in
Seat Back	W: 24 in x D: 4 in x H: 14 in
Seat	W: 22.5 in x D: 18 in x H: 19 in

SHIPPING

Shipping Requirements	Special Handling Required
Product Weight	40 lbs
Gross Weight 1	50 lbs
Shipping Box 1	W: 32 in x D: 32 in x H: 35 in

ADDITIONAL INFO

Fabric Certification	NFPA-260, TB117-2013
Fabric Composition	82% Polyester, 18% Cotton
Fabric Cleaning Code	W - spot clean only with water-based shampoo or foam upholstery cleaner
Fabric Wear Abrasion	100,000
Fabric PFAS Free	Yes
Reupholstery Requirements	3.5
Base/Foot Type	360 Swivel Mechanism

CONTRACT

Contract Suitability	Contract Suitable As Is
Contract Textile Suitability	High Traffic/Public Spaces

SWATCHES

V40SW 4x4 Swatch: Fawn Wells Performance Velvet