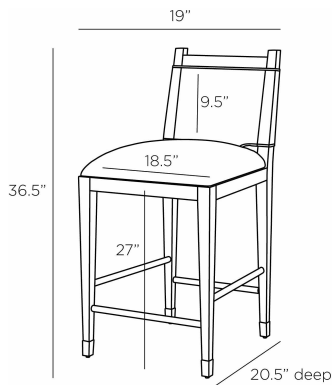


ARTERIOS

BURDOCK COUNTER STOOL



FSI09
Vanilla, Leather

Tapered legs and straight lines lend a masculine appeal to our tailored ebony finished beech wood counter stool. For comfort and style, we wrapped the t-shaped and well-padded seat in vanilla leather. Finished with non-functional snap details and tipped at each leg with antique brass sabots. Leather will vary.

APPEARANCE

Materials	Leather, Wood, Brass
Finishes	Vanilla, Ebony, Antique Brass
Finish Will Vary	Yes
Top Coat/Sealant	Yes

DIMENSIONS

Overall	W: 19 in x D: 20.5 in x H: 36.5 in
Foot Print	W: 18.5 in x D: 20 in
Leg	W: 1.5 in x D: 1.5 in
Seat Back	W: 16.5 in x H: 9.5 in
Seat	W: 18.5 in x D: 17.5 in x H: 27 in
Diagonal Dimensions	W: 42 in

SHIPPING

Shipping Requirements	Truck Ship
Product Weight	17.8 lbs
Gross Weight 1	31.97 lbs
Shipping Box 1	W: 22.0 in x D: 22.0 in x H: 38.5 in

ADDITIONAL INFO

Disclaimers	This piece is made with genuine leather. The variations in color are a natural characteristic of leather and may increase over time, adding to the individuality of your item. Please keep this away from prolonged intense sunlight, heat and humidity.
-------------	--

Fabric Certification	TB117-2013
Fabric Composition	100% Leather
Fabric Cleaning Code	P - clean with detergent & water
Reupholstery Requirements	27 Square Feet
Base/Foot Type	Glides

CONTRACT

Contract Suitability	Contract Suitable As Is
Contract Textile Suitability	High Traffic/Public Spaces

SWATCHES

T46SW 4x4 Swatch: Vanilla Leather