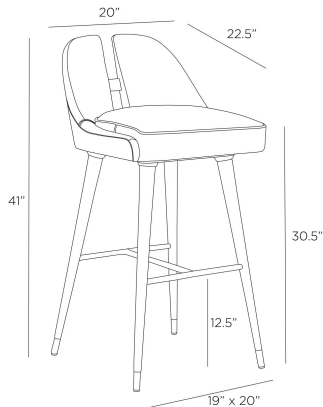


ARTERIOS

CROWLEY BAR STOOL



FS112
Black, Leather

The ideal balance of masculine and feminine, a sleek slit detail mimics an alluring open-backed dress. Upholstered in soft black leather, this bar stool is enhanced with polished antique brass joinery. Poised on slim, ebony beech wood legs tipped in brass. Leather will vary.

APPEARANCE

Materials	Leather, Wood, Brass
Finishes	Black, Ebony, Antique Brass
Finish Will Vary	Yes
Top Coat/Sealant	Yes

DIMENSIONS

Overall	W: 20 in x D: 22.5 in x H: 41 in
Foot Print	W: 19 in x D: 20 in
Seat Cushion Thickness	H: 4 in
Leg	Dia: 2.0 in x H: 26 in
Seat Back	W: 18.5 in x D: 2.5 in x H: 10.5 in
Seat	W: 18 in x D: 18 in x H: 30.5 in
Diagonal Dimensions	W: 47 in

SHIPPING

Shipping Requirements	Truck Ship
Product Weight	34.5 lbs
Gross Weight 1	39.69 lbs
Shipping Box 1	W: 42.0 in x D: 25.6 in x H: 25.6 in

ADDITIONAL INFO

Disclaimers	This piece is made with genuine leather. The variations in color are a natural characteristic of leather and may increase over time, adding to the individuality of your item. Please keep this away from prolonged intense sunlight, heat and humidity.
-------------	--

Fabric Certification	TB117-2013
Fabric Composition	100% Leather
Fabric Cleaning Code	Leather Cleaner
Reupholstery Requirements	45 Square Feet 2.5 Yards
Base/Foot Type	Glides

CONTRACT

Contract Suitability	Contract Suitable As Is
Contract Textile Suitability	High Traffic/Public Spaces

SWATCHES

T45SW 4x4 Swatch: Black Leather