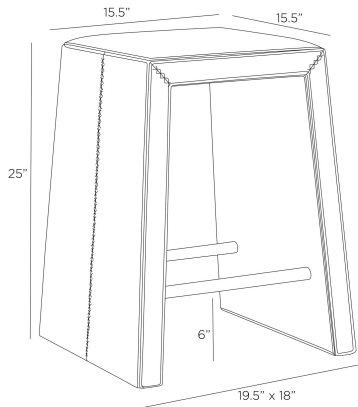


ARTERIOS

COWAN COUNTER STOOL



FS13
White, Hair on Hide

Crafted of white hair-on-hide, this backless counter stool is a tactile delight. A mitered whipstitch creates a racing stripe down the center of each side, while slim antique brass bridges add contrast and support to this minimal design. Hide will vary.

APPEARANCE

Materials	Hair on Hide, Brass
Finishes	White, Antique Brass
Finish Will Vary	Yes
Top Coat/Sealant	Yes

DIMENSIONS

Overall	W: 19.5 in x D: 18 in x H: 25 in
Foot Print	W: 19.5 in x D: 18 in
Seat Cushion Thickness	H: 3 in
Leg	W: 2.5 in x D: 18 in
Seat	W: 15.5 in x D: 15.5 in x H: 25 in
Diagonal Dimensions	W: 32 in

SHIPPING

Product Weight	27.0 lbs
Gross Weight 1	38.04 lbs
Shipping Box 1	W: 27.5 in x D: 18.0 in x H: 22.0 in

ADDITIONAL INFO

Disclaimers	As a natural hide, each piece will vary and no two are alike.
Fabric Certification	NFPA-260, TB117-2013
Fabric Composition	100% Leather
Fabric Cleaning Code	S - dry clean only
Reupholstery Requirements	35 Square Feet 2 Yards
Base/Foot Type	Glides

CONTRACT

Contract Suitability	Contract Suitable As Is
Contract Textile Suitability	Low Traffic/Private Spaces

SWATCHES

T29SW 4x4 Swatch: White Hide