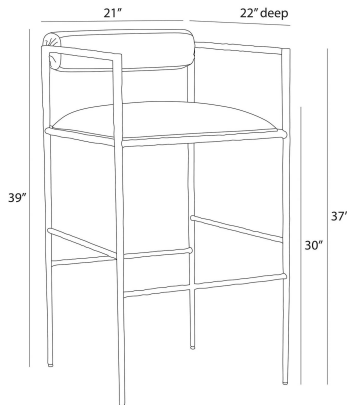


ARTERIOS

BARBANA BAR STOOL OXFORD WHITE



FSI20
Oxford White, Fabric

This exquisite bar stool is perfectly poised, perched on delicate legs recalling an insect. A body of natural iron is hand-forged to yield soft impressions along its sharp-angled frame. The tight seat and bolster back are covered in performance fabric in Oxford white. Finish will vary.

APPEARANCE

Materials	Fabric, Iron
Finishes	Oxford White, Natural Iron
Finish Will Vary	Yes
Top Coat/Sealant	Yes

DIMENSIONS

Overall	W: 21 in x D: 22 in x H: 39 in
Arm	H: 37 in
Seat	H: 30 in

SHIPPING

Shipping Requirements	Special Handling Required
Product Weight	52.5 lbs
Gross Weight 1	64.24 lbs
Shipping Box 1	W: 23.0 in x D: 25.0 in x H: 45.0 in

ADDITIONAL INFO

Fabric Certification	TB117-2013
Fabric Composition	70% Polyester, 15% Viscose, 10% Acrylic
Fabric Cleaning Code	P - clean with detergent & water
Fabric Wear Abrasion	50,000
Fabric PFAS Free	Yes
Reupholstery Requirements	1 Yard Seat: 0.6 Yards Bolster: 0.4 Yards

CONTRACT

Contract Suitability	Contract Suitable With Conditions
Contract Conditions	For an additional fee, a clear, protective coating can be added
Contract Textile Suitability	High Traffic/Public Spaces

REPLACEMENT PARTS

BARBANA FEET

SWATCHES

X79SW 4x4 Swatch: Oxford White Performance Fabric