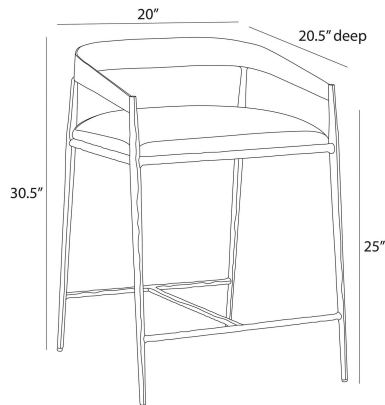


# ARTERIOS

## ANSEL COUNTER STOOL



FSI21  
Midnight Grey, Velvet

Sharp angles and a raw curvature define this stool's bold aesthetic. Natural iron is hammered by hand to create rich impressions along the shallow back, while the hand-forged legs yield more delicate details. The tight seat is covered in our performance velvet in midnight grey, elevating the façade while assuring it is as durable as it is stylish. Finish will vary.

### APPEARANCE

Materials	Velvet, Iron
Finishes	Midnight Grey, Natural Iron
Finish Will Vary	Yes
Top Coat/Sealant	Yes

### DIMENSIONS

Overall	W: 20 in x D: 20.5 in x H: 30.5 in
Arm	H: 27 in
Seat Back	H: 9.5 in
Seat	W: 19 in x D: 18 in x H: 25 in

### SHIPPING

Shipping Requirements	Special Handling Required
Product Weight	42.5 lbs
Gross Weight 1	60.28 lbs
Shipping Box 1	W: 23 in x D: 26 in x H: 34 in

### ADDITIONAL INFO

Fabric Certification	TB117-2013
Fabric Composition	100% Polyester
Fabric Cleaning Code	P - clean with detergent & water
Fabric Wear Abrasion	50,000
Fabric PFAS Free	Yes
Reupholstery Requirements	0.66 Yards

### CONTRACT

Contract Suitability	Contract Suitable With Conditions
Contract Conditions	For an additional fee, a clear, protective coating can be added
Contract Textile Suitability	High Traffic/Public Spaces

### REPLACEMENT PARTS

BARBANAFEET

### SWATCHES

V36SW 4x4 Swatch: Midnight Grey Performance Velvet