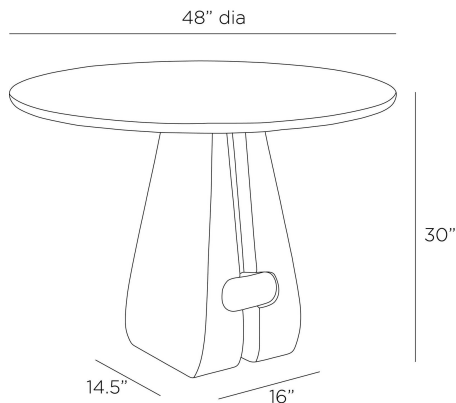


# ARTERIOS

## MELT ENTRY TABLE

Workshop/APD



GAFDI01  
White, Marble

The Melt entry table with a white marble top explores the joining of soft, malleable forms, featuring connective elements with the same molten quality expressed throughout the series. The limewash wood entry table plays with the joining of materials and shapes and the resulting liminal space, creating a sense of airy lightness through an intentional vertical reveal. Marble will vary.

### APPEARANCE

Materials	Marble, Wood
Finishes	White, Cerused Natural
Finish Will Vary	Yes
Top Coat/Sealant	Yes

### DIMENSIONS

Overall	Dia: 48.0 in x H: 30 in
Foot Print	W: 16 in x D: 14.5 in
Leg	W: 17 in x D: 17 in x H: 28.5 in
Table Top	Dia: 48.0 in x H: 1.5 in
Diagonal Dimensions	W: 57 in

### SHIPPING

Shipping Requirements	Truck Ship
Product Weight	337.0 lbs
Gross Weight 1	140.0 lbs
Gross Weight 2	250.0 lbs
Shipping Box 1	W: 24.0 in x D: 24.0 in x H: 32.5 in
Shipping Box 2	W: 56.5 in x D: 56.5 in x H: 9.0 in

### ADDITIONAL INFO

Features	Assembly Required
Disclaimers	These unique designs make beautiful dining tables, but please note that placing hot or wet items on the surface can mar the finish.
Base/Foot Type	Adjustable Levelers

### CONTRACT

Contract Suitability	Contract Suitable With Conditions
Contract Conditions	Natural stone requires periodic sealing, For an additional fee, a clear, protective coating can be added