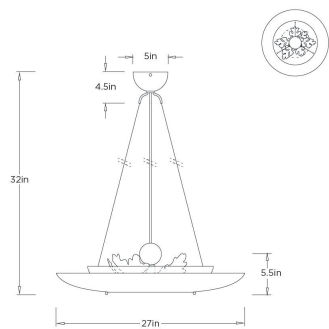


ARTERIOS

CHENE CHANDELIER

Barry Dixon



GDDMI01 CHENE CHANDELIER

ARTERIOS



GDDMI01
Antique Brass, Iron

This sculptural chandelier features leaf-like metal details gathered at the top, rising organically above a clean circular disk. Crafted from iron and finished in bronze, the design balances delicate detailing with a grounded, architectural form. A refined statement that brings warmth and quiet drama to any space.

APPEARANCE

Materials	Iron, Glass, Chattered Iron
Finishes	Antique Brass, Clear, Bronze
Finish Will Vary	No
Top Coat/Sealant	No

DIMENSIONS

Overall	Dia: 27 in x H: 48 in
Body	H: 5.5 in
Canopy	Dia: 5 in x H: 4.5 in
Overall Hanging Height as Sold (in)	32 in

WIRING

Wire Rating	Damp
Cord	10 FT, Beige Cloth Cord, SVT
Socket	1, Type A - E26
Suggested Bulb Type	G25
Maximum Wattage	100
Voltage	110-120 V

SHIPPING

Product Weight	18.95 lbs
Gross Weight 1	31 lbs
Shipping Box 1	W: 20.5 in x D: 29.5 in x H: 29.5 in

ADDITIONAL INFO

Features	Assembly Required
----------	-------------------

CONTRACT

Contract Suitability	Contract Suitable As Is
----------------------	-------------------------