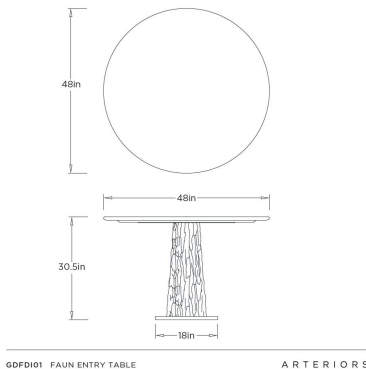


ARTERIOS

FAUN ENTRY TABLE

Barry Dixon



GDFDI01
White, Banswara Marble

The Faun Entry Table embraces bold contrast and tactile detail. A smooth, white Banswara marble top is grounded by a pedestal base with pronounced texture, creating a striking interplay of refined surface and organic depth. Substantial and expressive, this piece is an elevated addition to any entry space.

APPEARANCE

Materials	Banswara Marble, Cast Aluminum
Finishes	White, Blackened Bronze
Finish Will Vary	Yes
Top Coat/Sealant	No

DIMENSIONS

Overall	Dia: 48 in x H: 30.5 in
Foot Print	Dia: 18 in
Table Top Clearance	H: 29 in
Table Top Thickness	H: 1.5 in

SHIPPING

Shipping Requirements	Truck Ship
Product Weight	248 lbs
Gross Weight 1	341 lbs
Shipping Box 1	W: 12.5 in x D: 57.5 in x H: 62.5 in
Shipping Box 2	W: 33.5 in x D: 33.5 in x H: 36.5 in

ADDITIONAL INFO

Features	Assembly Required
Disclaimers	As a natural material, color variation is to be expected in marble. The color has been determined randomly depending on what mineral content makes up each batch when the marble is formed. Small pits or divots are a common occurrence as well. These unique designs make beautiful dining tables, but please note that placing hot or wet items on the surface can mar the finish.
Base/Foot Type	Adjustable Glides

CONTRACT

Commercial Maintenance	Hardware may need occasional tightening over time with use.
Contract Suitability	Contract Suitable With Conditions
Contract Conditions	Natural stone requires periodic sealing, For an additional fee, a clear, protective coating can be added
Tilt Test Degrees	10 Degrees