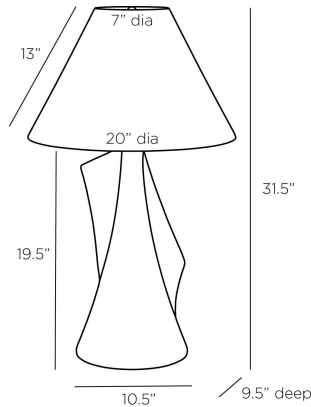


# ARTERIOS

## BRUCE TABLE LAMP



PTC22-SH032  
Ivory, Glass Stone

An organic base of ivory glass stone composite is a piece of Modernist sculpture for your desktop. The Bruce's free-flowing form is finished on either side with irregular "fins" to intrigue the eye. Accented with a support and finial sphere finished in antique brass, it is topped with a shade of ivory cotton and finished with a taupe cord. Three-way rotary switch. Finish will vary.

### APPEARANCE

|                  |  |
|------------------|--|
| Materials        | Glass Stone, Steel, Microfiber, Cotton     |
| Finishes         | Ivory, Antique Brass, Off-White, Off-White |
| Harp Finish      | Antique Brass                              |
| Finish Will Vary | Yes  |
| Top Coat/Sealant | Yes  |

### DIMENSIONS

|              |                                     |
|--------------|-------------------------------------|
| Overall      | Dia: 20.0 in x H: 31.5 in           |
| Foot Print   | Dia: 9.5 in                         |
| Body         | W: 10.5 in x D: 9.5 in x H: 19.5 in |
| Finial       | Dia: 1 in x H: 1 in                 |
| Shade Top    | Dia: 7.0 in                         |
| Shade Side   | H: 13 in                            |
| Shade Bottom | Dia: 20.0 in                        |
| Harp Size    | H: 9 in                             |
| Neck         | Dia: 1.0 in x H: 2 in               |

### WIRING

|                     |                         |
|---------------------|-------------------------|
| Wire Rating         | Indoor Only             |
| Socket              | 1, Type A - E26         |
| Suggested Bulb Type | A19                     |
| Switch              | At Socket, 3-Way Rotary |
| Maximum Wattage     | 150.0                   |
| Voltage             | 110-120 V               |

### CERTIFICATIONS & COMPLIANCY

|                |  |
|----------------|--|
| Certifications | Middle East, European Union, United Kingdom, Mexico, United States, Canada |
| Compliance     | RoHS, UL/ETL, CB   |

### SHIPPING

|                |                                      |
|----------------|--------------------------------------|
| Product Weight | 21.7 lbs                             |
| Gross Weight 1 | 28.0 lbs                             |
| Gross Weight 2 | 5.0 lbs                              |
| Shipping Box 1 | W: 14.5 in x D: 14.5 in x H: 28.5 in |
| Shipping Box 2 | W: 20.5 in x D: 20.5 in x H: 34.0 in |

### CONTRACT

|                      |                         |
|----------------------|-------------------------|
| Contract Suitability | Contract Suitable As Is |
| Tilt Test Degrees    | 10 Degrees              |