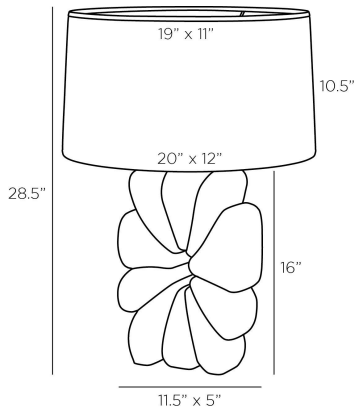


# ARTERIOS

## ASHLEY TABLE LAMP



PTC23-431  
Ivory, Glass Stone

Petals of ivory glass stone composite gather and converge to form a floral shape reminiscent of a freshly picked daisy. The Ashley's free-form sculptural shape is left hollow in the center to intrigue the eye. The whimsical silhouette is accented with antique brass finished hardware and an oval drum shade of ivory microfiber lined in cotton. Taupe cloth cord and three-way rotary switch. Finish will vary.

### APPEARANCE

Materials	Glass Stone, Steel, Microfiber, Cotton
Finishes	Ivory, Antique Brass, Ivory, Off-White
Finish Will Vary	Yes
Top Coat/Sealant	Yes

### DIMENSIONS

Overall	W: 20 in x D: 12 in x H: 28.5 in
Foot Print	W: 8.5 in x D: 5 in
Body	W: 11.5 in x D: 5 in x H: 16 in
Finial	Dia: 1 in x H: 1 in
Shade Top	W: 19 in x D: 11 in
Shade Side	H: 10.5 in
Shade Bottom	W: 20 in x D: 12 in
Harp Size	H: 9 in
Neck	H: 2 in

### WIRING

Wire Rating	Indoor Only
Socket	1, Type A - E26
Suggested Bulb Type	A19
Switch	At Socket, 3-Way Rotary
Maximum Wattage	150.0
Voltage	110-120 V

### CERTIFICATIONS & COMPLIANCY

Certifications	Middle East, European Union, United Kingdom, Australia, Mexico, United States, Canada
Compliance	RoHS, UL/ETL, CB

### SHIPPING

Product Weight	44.8 lbs
Gross Weight 1	51.0 lbs
Gross Weight 2	5.0 lbs
Shipping Box 1	W: 9.0 in x D: 16.5 in x H: 25.5 in
Shipping Box 2	W: 22 in x D: 22 in x H: 12.5 in

### CONTRACT

Contract Suitability	Contract Suitable As Is
Tilt Test Degrees	10 Degrees