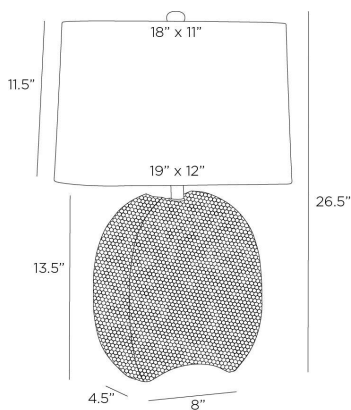


ARTERIOS

FAIRBANKS TABLE LAMP



PTC51-519
White, Ceramic

Our white ceramic lamp's soft organic form possesses the carved texture of a coral reef. Designed to draw the eye upward with its subtly curved shape, it is finished with rectangular feet for secure placement. A matching finial and oval shaped white microfiber shade lined in off-white cotton complements the neutral palette. Steel hardware plated in antique brass. Finish will vary.

APPEARANCE

Materials	Ceramic, Steel, Microfiber, Cotton
Finishes	White, Antique Brass, White, Off-White
Finish Will Vary	Yes
Top Coat/Sealant	Yes

DIMENSIONS

Overall	W: 19 in x D: 12 in x H: 26.5 in
Foot Print	W: 8 in x D: 4.5 in
Body	W: 12.5 in x D: 7 in x H: 13.5 in
Finial	Dia: 1 in x H: 1 in
Shade Top	W: 18 in x D: 11 in
Shade Side	H: 11.5 in
Shade Bottom	W: 19 in x D: 12 in
Harp Size	H: 8.5 in
Neck	Dia: 1.0 in x H: 4 in

WIRING

Wire Rating	Indoor Only
Cord	10 FT, Clear/Silver, SPT-2
Socket	1, Type A - E26
Suggested Bulb Type	A19
Switch	At Socket, 3-Way Rotary
Maximum Wattage	150.0
Voltage	110-120 V

CERTIFICATIONS & COMPLIANCY

Certifications	Middle East, European Union, United Kingdom, Australia, Mexico, United States, Canada
Compliance	RoHS, UL/ETL, CB

SHIPPING

Product Weight	9.0 lbs
Gross Weight 1	12.0 lbs
Gross Weight 2	5.0 lbs
Shipping Box 1	W: 7.0 in x D: 12.0 in x H: 14.0 in
Shipping Box 2	W: 14 in x D: 21 in x H: 15.5 in

CONTRACT

Contract Suitability	Contract Suitable As Is
Tilt Test Degrees	10 Degrees