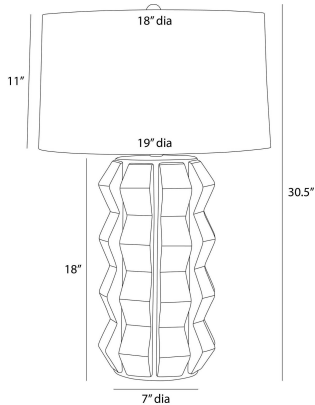


ARTERIOS

JOURNEY TABLE LAMP



PTC57-827
Ocean Reactive, Ceramic

Shaped and glazed to create playful movement, our ceramic Journey is a modern update of a hand-thrown lamp from the Mid-Century. The zig-zag form is glazed in ocean reactive for subtle gradation and accented with antique brass hardware. Topped with a white linen drum shade and matching ceramic finial. Finish will vary.

APPEARANCE

Materials	Ceramic, Steel, Linen, Steel
Finishes	Ocean Reactive, Antique Brass, White, Antique Brass
Harp Finish	Brass
Finish Will Vary	Yes
Top Coat/Sealant	No

DIMENSIONS

Overall	Dia: 19.0 in x H: 30.5 in
Foot Print	Dia: 7.0 in
Body	Dia: 9.5 in x H: 18 in
Finial	Dia: 1 in x H: 1 in
Shade Top	Dia: 18.0 in
Shade Side	H: 11 in
Shade Bottom	Dia: 19.0 in
Harp Size	H: 9 in
Neck	Dia: 1.25 in x H: 2 in

WIRING

Wire Rating	Indoor Only
Cord	10 FT, Clear/Silver, SPT-2
Socket	1, Type A - E26
Suggested Bulb Type	A19
Switch	At Socket, 3-Way Rotary
Maximum Wattage	150.0
Voltage	110-120 V

CERTIFICATIONS & COMPLIANCY

Certifications	Middle East, European Union, United Kingdom, Mexico, United States, Canada
Compliance	RoHS, UL/ETL, CB

SHIPPING

Product Weight	23.6 lbs
Gross Weight 1	25.35 lbs
Gross Weight 2	5 lbs
Shipping Box 1	W: 13.5 in x D: 13.5 in x H: 25.0 in
Shipping Box 2	W: 23 in x D: 23 in x H: 15 in

CONTRACT

Contract Suitability	Contract Suitable As Is
Tilt Test Degrees	10 Degrees

REPLACEMENT PARTS

PTC57FIN