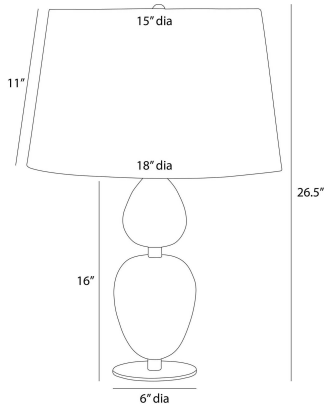


ARTERIOS

AUBREY TABLE LAMP



PTC66-829
Black, Marble

Defined by architectural elements and natural materials, the Aubrey is a showpiece. Even more so in our new combination of gray flower and black marble. Ovoid forms elevate the sleek frame of antique brass-plated steel and matching rounded base. Topped with an off-white linen shade lined in off-white cotton and an antique brass steel sphere finial. Finish will vary.

APPEARANCE

Materials	Marble, Marble, Steel, Linen, Cotton, Steel
Finishes	Black, Gray Flower, Antique Brass, Off-White, Off-White, Antique Brass
Harp Finish	Brass
Finish Will Vary	Yes
Top Coat/Sealant	Yes

DIMENSIONS

Overall	Dia: 18.0 in x H: 26.5 in
Foot Print	Dia: 6.0 in
Base	Dia: 6.0 in x H: 0.25 in
Body	Dia: 6.0 in x H: 16 in
Finial	Dia: 1 in x H: 1 in
Shade Top	Dia: 15.0 in
Shade Side	H: 11 in
Shade Bottom	Dia: 18.0 in
Harp Size	H: 9 in
Neck	Dia: 1.0 in x H: 2 in

WIRING

Wire Rating	Indoor Only
Cord	8 FT, Clear/Silver, SPT-2
Socket	1, Type A - E26
Suggested Bulb Type	A19
Switch	At Socket, 3-Way Rotary
Maximum Wattage	150.0

CERTIFICATIONS & COMPLIANCY

Certifications	Middle East, European Union, United Kingdom, Mexico, United States, Canada
Compliance	RoHS, UL/ETL, CB

SHIPPING

Product Weight	20.8 lbs
Gross Weight 1	20.94 lbs
Gross Weight 2	5 lbs
Shipping Box 1	W: 10.0 in x D: 10.0 in x H: 23.0 in
Shipping Box 2	W: 13 in x D: 20 in x H: 20 in

CONTRACT

Contract Suitability	Contract Suitable As Is
Tilt Test Degrees	10 Degrees

REPLACEMENT PARTS

81002
49739FIN

Voltage

110-120 V