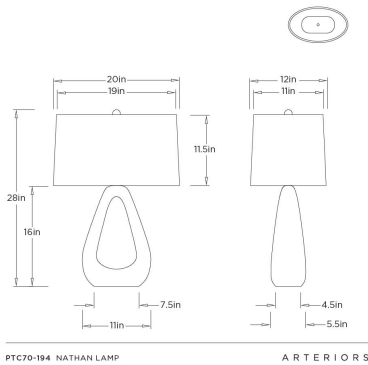


ARTERIOS

NATHAN TABLE LAMP



PTC70-194
Glacier Swirl, Resin

This cast resin lamp showcases a sculptural form with a glacier swirl finish that adds depth and visual intrigue. Perfect for a console, den, or office, it features antique brass-plated steel hardware and a matching resin sphere finial, topped with a textural oval drum shade of off-white linen lined in cotton. Finish will vary

APPEARANCE

Materials	Resin, Steel, Linen, Cotton
Finishes	Glacier Swirl, Antique Brass, Off-White, Off-White
Harp Finish	Brass
Finish Will Vary	Yes
Top Coat/Sealant	Yes

DIMENSIONS

Overall	W: 20 in x D: 12 in x H: 28 in
Foot Print	W: 7.5 in x D: 4.5 in
Body	W: 11 in x D: 5.5 in x H: 16 in
Finial	Dia: 1 in x H: 1 in
Shade Top	W: 19 in x D: 11 in
Shade Side	H: 11.5 in
Shade Bottom	W: 20 in x D: 12 in
Harp Size	H: 8 in
Neck	D: 1 in x H: 2 in

WIRING

Wire Rating	Indoor Only
Cord	8 FT, Clear/Silver, SPT-2
Socket	1, Type A - E26
Suggested Bulb Type	A19
Switch	At Socket, 3-Way Rotary
Maximum Wattage	150.0
Voltage	110-120 V

CERTIFICATIONS & COMPLIANCY

Certifications	Middle East, European Union, United Kingdom, Mexico, United States, Canada
Compliance	RoHS, UL/ETL, CB

SHIPPING

Product Weight	21.0 lbs
Gross Weight 1	24.0 lbs
Gross Weight 2	5.0 lbs
Shipping Box 1	W: 12.0 in x D: 17.0 in x H: 27.0 in
Shipping Box 2	W: 14 in x D: 22 in x H: 12.5 in

CONTRACT

Contract Suitability	Contract Suitable As Is
Tilt Test Degrees	10 Degrees

REPLACEMENT PARTS

PTC70FIN