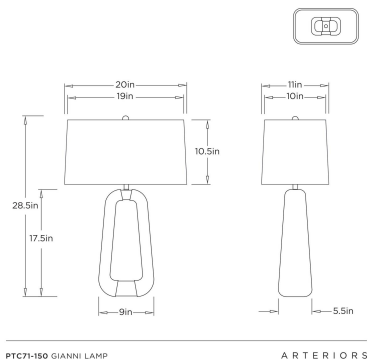


ARTERIOS

GIANNI TABLE LAMP



PTC71-150
Ivory, Ricestone

A modern form in ivory ricestone composite is accented with antique brass-plated steel, which visually unites the mixed-material foundation adding a mix of sculpture and textural touch to a space, it is topped with a rectangular white linen drum shade with white cotton lining. Finish will vary.

APPEARANCE

Materials	Ricestone, Steel, Linen, Cotton
Finishes	Ivory, Antique Brass, White, White
Finish Will Vary	Yes
Top Coat/Sealant	Yes

DIMENSIONS

Overall	W: 20 in x D: 11.5 in x H: 28.5 in
Body	W: 9 in x D: 5.5 in x H: 17.5 in
Finial	Dia: 1 in x H: 1 in
Shade Top	W: 19 in x D: 10 in
Shade Side	H: 10.5 in
Shade Bottom	W: 20 in x D: 11 in
Harp Size	H: 9.5 in
Neck	D: 0.75 in x H: 1 in

WIRING

Wire Rating	Indoor Only
Cord	10 FT, Taupe Fabric, SPT-2
Socket	1, Type A - E26
Suggested Bulb Type	A19
Switch	At Socket, 3-Way Rotary
Maximum Wattage	150.0
Voltage	110-120 V

CERTIFICATIONS & COMPLIANCY

Certifications	Middle East, European Union, United Kingdom, Mexico, United States, Canada
Compliance	RoHS, UL/ETL, CB

SHIPPING

Product Weight	22.0 lbs
Gross Weight 1	24.0 lbs
Gross Weight 2	5.0 lbs
Shipping Box 1	W: 13.0 in x D: 8.25 in x H: 26.0 in
Shipping Box 2	W: 13.0 in x D: 22.0 in x H: 14.5 in

CONTRACT

Contract Suitability	Contract Suitable As Is
Tilt Test Degrees	8 Degrees