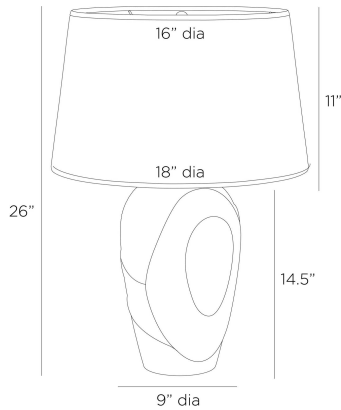


ARTERIOS

AMELIA TABLE LAMP



PTE05-252
Matte White, Porcelain

Organic in feel, the porcelain base of the Amelia juxtaposes rough and smooth patterns to enchant the eye and invite the touch. The monochromatic bas-relief pattern glazed in matte white is accentuated with a matching drum shade of off-white linen lined in cotton. Finished with antique brass hardware and a taupe cloth cord. Three-way rotary switch. Finish will vary.

APPEARANCE

Materials	Porcelain, Steel, Linen, Cotton
Finishes	Matte White, Antique Brass, Off-White, Off-White
Finish Will Vary	Yes
Top Coat/Sealant	No

DIMENSIONS

Overall	Dia: 18.0 in x H: 26 in
Foot Print	Dia: 5.0 in
Body	Dia: 9.0 in x H: 14.5 in
Finial	Dia: 1 in x H: 1 in
Shade Top	Dia: 16.0 in
Shade Side	H: 11 in
Shade Bottom	Dia: 18.0 in
Harp Size	H: 9 in
Neck	Dia: 1.0 in x H: 2 in

WIRING

Wire Rating	Indoor Only
Socket	1, Type A - E26
Suggested Bulb Type	A19
Switch	At Socket, 3-Way Rotary
Maximum Wattage	150.0
Voltage	110-120 V

CERTIFICATIONS & COMPLIANCY

Certifications	Middle East, European Union, United Kingdom, Australia, Mexico, United States, Canada
Compliance	RoHS, UL/ETL, CB

SHIPPING

Product Weight	7.9 lbs
Gross Weight 1	15.0 lbs
Gross Weight 2	3 lbs
Shipping Box 1	W: 9.5 in x D: 9.5 in x H: 15.5 in
Shipping Box 2	W: 20 in x D: 20 in x H: 13 in

CONTRACT

Contract Suitability	Contract Suitable As Is
Tilt Test Degrees	10 Degrees

REPLACEMENT PARTS

81002