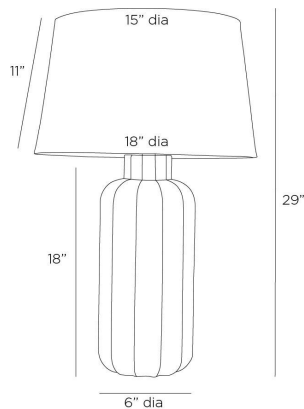


# ARTERIOS

## HENRIETTA LAMP



PTE11-829  
Lunar Reactive, Porcelain

A traditional architectural form reinvented on a larger scale in textural porcelain. Glazed in a lunar reactive finish, its surface recalls a freeform coral reef. Accented with antique brass-plated steel hardware and sphere-shaped finial. Off-white linen drum shade lined in off-white cotton. Finish will vary.

### APPEARANCE

Materials	Porcelain, Steel, Linen, Cotton
Finishes	Lunar Reactive, Antique Brass, Off-White, Off-White
Finish Will Vary	Yes
Top Coat/Sealant	Yes

### DIMENSIONS

Overall	Dia: 18.0 in x H: 29 in
Foot Print	Dia: 6.0 in
Body	Dia: 7.5 in x H: 18 in
Finial	Dia: 1 in x H: 1 in
Shade Top	Dia: 15.0 in
Shade Side	H: 11 in
Shade Bottom	Dia: 18.0 in
Harp Size	H: 9 in
Neck	Dia: 1.0 in x H: 1 in

### WIRING

Wire Rating	Indoor Only
Cord	10 FT, Clear/Silver, SPT-2
Socket	1, Type A - E26
Suggested Bulb Type	A19
Switch	At Socket, 3-Way Rotary
Maximum Wattage	150.0
Voltage	110-120 V

### CERTIFICATIONS & COMPLIANCY

Certifications	Middle East, European Union, United Kingdom, Australia, Mexico, United States, Canada
Compliance	RoHS, UL/ETL, CB

### SHIPPING

Product Weight	6.5 lbs
Gross Weight 1	10.0 lbs
Gross Weight 2	5.0 lbs
Shipping Box 1	W: 8.0 in x D: 8.0 in x H: 18.0 in
Shipping Box 2	W: 13 in x D: 20 in x H: 20 in

### CONTRACT

Contract Suitability	Contract Suitable As Is
Tilt Test Degrees	10 Degrees

### REPLACEMENT PARTS

81002