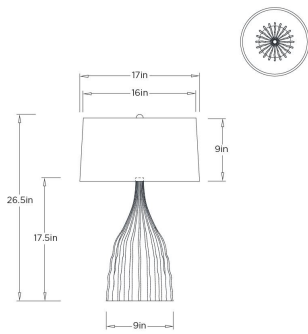


ARTERIOS

NYLA TABLE LAMP



PTE16-934 NYLA LAMP

ARTERIOS



PTE16-934
Dark Green Reactive, Ceramic

Inspired by the textured form of a cactus, this ceramic lamp features ridged surfaces glazed in a dark green reactive finish for mid-century modern appeal. Tall enough to balance an end table or credenza, it is accented with polished nickel-plated steel hardware and topped with an off-white microfiber drum shade lined in matching cotton. Finish will vary.

APPEARANCE

Materials	Ceramic, Steel, Microfiber, Microfiber
Finishes	Dark Green Reactive, Polished Nickel, Off-White, Off-White
Finish Will Vary	Yes
Top Coat/Sealant	No

DIMENSIONS

Overall	Dia: 17.0 in x H: 26.5 in
Foot Print	Dia: 9.0 in
Body	Dia: 9.0 in x H: 17.5 in
Finial	Dia: 1 in x H: 1 in
Shade Top	Dia: 16.0 in
Shade Side	H: 9 in
Shade Bottom	Dia: 17.0 in
Harp Size	H: 8 in

WIRING

Wire Rating	Indoor Only
Cord	10 FT, Clear/Silver, SPT-2
Socket	1, Type A - E26
Suggested Bulb Type	A19
Switch	At Socket, 3-Way Rotary
Maximum Wattage	150.0
Voltage	110-120 V

CERTIFICATIONS & COMPLIANCY

Certifications	Middle East, European Union, United Kingdom, Mexico, United States, Canada
Compliance	RoHS, UL/ETL, CB

SHIPPING

Product Weight	5.0 lbs
Gross Weight 1	9.0 lbs
Gross Weight 2	5.0 lbs
Shipping Box 1	W: 10.5 in x D: 10.5 in x H: 26.0 in
Shipping Box 2	W: 19 in x D: 19 in x H: 15 in

CONTRACT

Contract Suitability	Contract Suitable As Is
Tilt Test Degrees	10 Degrees

REPLACEMENT PARTS

81004