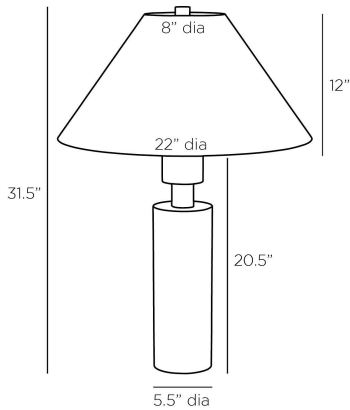


ARTERIOS

BLAZI TABLE LAMP



PTI08-671
Hot Rolled Steel, Iron

Craftsmanship at its finest, hot rolled steel is shaped into towered cylinders. Burnished to an oxidized finish, its impactful base perfectly complements a tapered shade of ivory microfiber. Finished with a clear silver cord and three-way rotary switch. Finish will vary.

APPEARANCE

Materials	Iron, Microfiber, Cotton
Finishes	Hot Rolled Steel, Ivory, Off-White
Finish Will Vary	Yes
Top Coat/Sealant	Yes

DIMENSIONS

Overall	Dia: 22.0 in x H: 31.5 in
Foot Print	Dia: 5.5 in
Body	Dia: 5.5 in x H: 20.5 in
Finial	W: 1.5 in x D: 1.5 in x H: 2 in
Shade Top	Dia: 8.0 in
Shade Side	H: 12 in
Shade Bottom	Dia: 22.0 in
Harp Size	H: 7.5 in
Neck	Dia: 1.0 in x H: 1 in

WIRING

Wire Rating	Indoor Only
Socket	1, Type A - E26
Suggested Bulb Type	A19
Switch	At Socket, 3-Way Rotary
Maximum Wattage	150.0
Voltage	110-120 V

CERTIFICATIONS & COMPLIANCY

Certifications	Middle East, European Union, United Kingdom, Australia, Mexico, United States, Canada
Compliance	RoHS, UL/ETL, CB

SHIPPING

Product Weight	4.1 lbs
Gross Weight 1	11.0 lbs
Gross Weight 2	5.0 lbs
Shipping Box 1	W: 9.0 in x D: 9.0 in x H: 27.0 in
Shipping Box 2	W: 18.5 in x D: 18.5 in x H: 30.0 in

CONTRACT

Contract Suitability	Contract Suitable As Is
Tilt Test Degrees	10 Degrees

REPLACEMENT PARTS

PTI08FIN