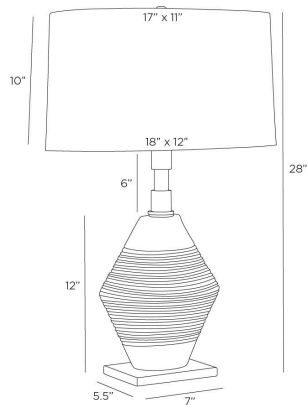


ARTERIOS

ESTRADA TABLE LAMP



PT111-372
Navy Optic, Glass

Hand-crafted of navy optic glass, the stacked base of the Estrada reflects the diamond-bodied shape of a halibut. Mounted on a square antique brass base with matching hardware, this rich style is crowned with a turned metal neck topped with an oval off-white microfiber shade.

APPEARANCE

Materials	Glass, Iron, Microfiber, Microfiber
Finishes	Navy Optic, Antique Brass, Off-White, White
Finish Will Vary	No
Top Coat/Sealant	No

DIMENSIONS

Overall	W: 18 in x D: 12 in x H: 28 in
Foot Print	W: 7 in x D: 5.5 in
Base	W: 7 in x D: 5.5 in
Body	W: 10 in x D: 6 in x H: 12 in
Finial	Dia: 1 in x H: 1 in
Shade Top	W: 17 in x D: 11 in
Shade Side	H: 10 in
Shade Bottom	W: 18 in x D: 12 in
Harp Size	H: 8.5 in
Neck	Dia: 2.0 in x H: 6 in

WIRING

Wire Rating	Indoor Only
Cord	10 FT, Clear/Silver, SPT-2
Socket	1, Type A - E26
Suggested Bulb Type	A19
Switch	At Socket, 3-Way Rotary
Maximum Wattage	150.0
Voltage	110-120 V

CERTIFICATIONS & COMPLIANCY

Certifications	Mexico, United States, Canada
Compliance	UL/ETL

SHIPPING

Product Weight	11.4 lbs
Gross Weight 1	15.0 lbs
Gross Weight 2	3 lbs
Shipping Box 1	W: 13.0 in x D: 17.0 in x H: 25.0 in
Shipping Box 2	W: 14 in x D: 20 in x H: 12 in

CONTRACT

Contract Suitability	Contract Suitable As Is
Tilt Test Degrees	10 Degrees

REPLACEMENT PARTS

81002