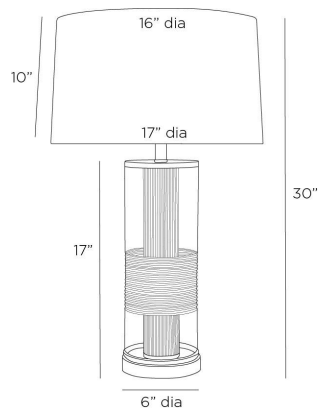


# ARTERIOS

## GIANNA TABLE LAMP



PTI22-580  
Clear Etched, Glass

Clear etched glass and vintage brass form an alluring combination on our tailored table lamp. A brass-plated iron base is surrounded by intersecting etched cylinders that play with layering and transparency. An off-white microfiber drum shade lined in off-white cotton is secured with a matching finial.

### APPEARANCE

Materials	Glass, Brass, Iron, Microfiber, Cotton
Finishes	Clear Etched, Vintage Brass, Vintage Brass, Off-White, Off-White
Finish Will Vary	No
Top Coat/Sealant	Yes

### DIMENSIONS

Overall	Dia: 17.0 in x H: 30 in
Foot Print	Dia: 6.0 in
Base	Dia: 6.0 in x H: 1 in
Body	Dia: 6.0 in x H: 17 in
Finial	Dia: 1 in x H: 1 in
Shade Top	Dia: 16.0 in
Shade Side	H: 10 in
Shade Bottom	Dia: 17.0 in
Harp Size	H: 8.5 in
Neck	Dia: 1.0 in x H: 2 in

### WIRING

Wire Rating	Indoor Only
Cord	10 FT, Clear/Silver, SPT-2
Socket	1, Type A - E26
Suggested Bulb Type	A19
Switch	At Socket, 3-Way Rotary
Maximum Wattage	150.0
Voltage	110-120 V

### CERTIFICATIONS & COMPLIANCY

Certifications	Middle East, European Union, United Kingdom, Australia, Mexico, United States, Canada
Compliance	RoHS, UL/ETL, CB

### SHIPPING

Product Weight	6.5 lbs
Gross Weight 1	10.0 lbs
Gross Weight 2	5.0 lbs
Shipping Box 1	W: 27.5 in x D: 9.5 in x H: 9.5 in
Shipping Box 2	W: 16.1 in x D: 23.6 in x H: 23.6 in

### CONTRACT

Contract Suitability	Contract Suitable As Is
Tilt Test Degrees	10 Degrees

### REPLACEMENT PARTS

PTI22FIN